

shindaiwa[®]

OWNER'S AND OPERATOR'S MANUAL

Diesel Engine Generator

DG50MKM-P

Vertical, Water-Cooled 4-Cycle Diesel Engine



CAUTION

Do not operate the Generator, or any other appliance, before you have read and understood the instructions for use and keep near for ready use.


DG50MKM-P/ANZ
X753-009 26 0
X753802-040 0


Introduction

Thank you for purchasing this Shindaiwa soundproof diesel engine generator.

- This manual has been created to ensure safe usage of this generator. Be sure to read this manual before operation. Improper operation/handling of this generator will result in an accident or malfunction.
- Handling/Operation of this generator can only be performed by persons who understand the contents of this manual and can handle/operate the generator in a safe manner. Persons who suffer from an illness, are taking medicine or not feeling well such that safe operation would be negatively affected must not operate this generator.
- Work performed using this generator and handling/operation of this generator must be in accordance with corresponding laws and regulations based on such laws. Consult with the authorized distributor where this generator was purchased if you have any inquiries regarding the corresponding laws.
- Always be sure to include this manual when loaning out this generator and instruct operating personnel to read this manual before operation.
- Store this manual in a specified location where it will be secure and available for consulting at any time. Order another copy from the authorized distributor where this generator was purchased if this manual becomes dusty, grimy or torn.
- Consult with the authorized distributor where this generator was purchased if you have any inquiries regarding any points related to this generator and manual. When inquiring about this generator, be sure to provide the model name and serial number.
- If disposing of this generator, do so in a manner that is in compliance with laws related to industrial waste. Contact the authorized distributor where the generator was purchased if you have any inquiries regarding proper disposal.

■ Caution notice ranks in this manual are classified as follows.

 **WARNING** : Indicates a potentially hazardous situation which, if not avoided, can result in death or serious injury.

 **CAUTION** : Indicates a potentially hazardous situation which, if not avoided, can result in minor or moderate injury and property damage.

< **Note** > : Other types of cautions and indications.


- Note that  **CAUTION** items can also lead to major accidents under some circumstances if not correctly followed. All caution notices are important. Be sure to follow all of them.

Table of Contents

1. Safety Instructions	2
2. Specifications	5
2-1. Specifications	5
2-2. Ambient Conditions	6
3. Applications	6
4. Part Names	6
4-1. External View/Part Names	6
4-2. Operation Panel Part Names	8
4-3. Output Panel	9
5. Equipment	10
5-1. Controller	10
5-2. Switches	12
5-3. Voltage Regulator	13
5-4. Fuel Piping Switch (3Way Fuel Valve)	13
6. Transporting/Installing	14
6-1. Transport Procedures	14
6-2. Installation Procedures	15
7. Load Connections	15
7-1. Load Cable Selection	15
7-2. Connecting Load Cables	16
7-3. Earth Leakage Relay and Grounding	16
8. Pre-Operation Inspection	18
8-1. Checking Engine Oil	18
8-2. Checking Coolant	19
8-3. Checking the Fuel	20
8-4. Checking the Spill Containment	20
8-5. Checking for Fuel, Oil and Coolant Leaks	21
8-6. Checking the Battery	21
9. Operating Procedures	22
9-1. Initial Startup/Pre-Check	22
9-2. Procedures during Operation	23
9-3. Stopping Operation	24
9-4. Protective Functions	24
9-5. Connecting with External Fuel Tank	25
10. Inspection/Maintenance	26
11. Long-Term Storage	37
12. Troubleshooting	38
13. Generator Circuit Diagram	42
14. Engine Electrical Circuit Diagram	43

1. Safety Instructions

WARNING : SUFFOCATION FROM EXHAUST FUME

- Do not operate the generator in poorly ventilated areas such as indoors or tunnels, as the exhaust gas of the engine contains substances that are harmful to human health.
- Do not direct exhaust fumes at bystanders or buildings.

WARNING : ELECTRIC SHOCK

- Do not operate the equipment with any doors or covers open.
- Before connecting or disconnecting the load cables to/from the output terminal, always turn the output circuit breakers to the OFF position, stop the engine, and turn the Power Switch to the OFF position.
- Close the output terminal cover before operating.
- Do not insert a pin, wire or other metal object into the electrical outlet.
- Do not touch the generator if the Alternator or casing becomes wet during operation.
- Do not touch output terminals or internal electric parts while the generator is operating.
- Ground the every earth grounding terminal to the earth as set out in the manual.
- If even one of all is unconnected by mistake or accident, it will be much more dangerous for human body than the NO-RELAY case, because leaking current inevitably goes through the body.
- Even though all the earth terminals of the loads have been grounded to the earth, the bonnet grounding terminal should be grounded to the earth.
- There is always a danger of being electrocuted by short-circuit. Be sure to test generator's insulation resistance periodically.
- Grounding should be made after the engine is stopped.
- Whenever the Earth leakage breaker is activated, you should always repair the leaking place first of all.

WARNING : INJURY

- Close all doors and lock them during operation.
- Close all doors and place locks during operating this equipment, to avoid injuries by unintentionally touching cooling fan and fan belt.
- Before performing any equipment check or maintenance, stop the engine, and turn the Power Switch to the OFF position.
- Use the lifting hook to lift the machines, and do not lift up the unit using tie-downs. Use of such could result in the generator falling.
- Do not lift any additional weight such as fuel tanks or trailers.
- No persons should be under a lifted generator.
- Before turning the circuit breaker to ON position, ensure that the breaker or the switch of loads are positioned to OFF.
- Operate the circuit breaker, well-communicating with the electrician by the load side.

CAUTION : EYE/SKIN INJURY

- Wear rubber gloves and other protective wear to protect eyes, skin and clothing from the battery fluid which contains diluted sulfuric acid. If the battery fluid contacts eyes or skin, wash out immediately with a sufficient amount of clean water. Be sure to receive medical treatment, especially if the fluid contacts the eyes.

⚠ CAUTION : EXPLOSION 

- Never use or recharge the battery if the fluid level is below the minimum level.
- Do not create sparks or bring flame near the battery as it generates flammable gas.

⚠ CAUTION : FIRE 

- Do not bring flammable items (such as fuel, gas and paint) or items that are highly combustible near the generator as the muffler, exhaust gas and other parts become extremely hot.
- Keep this generator 1m or more from walls or other hindrances, and on a level surface.
- Do not connect the generator output to indoor wiring.
- This generator uses diesel fuel. Always be sure to stop the engine and not bring flames close when inspecting fuel or refueling. Wait until the engine has cooled before performing such procedures.
- Do not use this equipment when leak is found, and repair the leaking location before operating.
- Always be sure to wipe up any spilled fuel or oil.
- Allow the generator to cool before covering with the protective cover.
- Never allow flame to come close to the generator.

⚠ CAUTION : BURNS 

- Do not touch the engine and surrounding components immediately after stopping the equipment, while temperature can reach extremely high.
- Do not open the radiator cap immediately after stopping the engine, to avoid sustaining burns from hot vapor.
- Hot steam gushes out from the coolant sub-tank if the generator overheats. Do not touch the coolant sub-tank.
- Always be sure to stop the engine and allow the engine to cool when performing inspection or maintenance of engine oil. Opening the oil level indicator or oil filler cap during operation will result in hot oil cause personal injury.

⚠ CAUTION : INJURY

- Always be sure to use lifting hooks when moving the generator, and lift it slowly at a completely vertical angle.
- Personnel performing lifting work must wear protective gear such as helmets, safety shoes and gloves.
- Remove the wood ties if using anchors to secure the generator.
- Position the generator on a level stable surface so that it cannot slide or move in any manner.
- Before starting operation, always be sure to turn off all switches of equipment using the generator and all breakers to OFF.
- Do not move the generator during operation.
- Do not operate the generator if it has been modified or any parts have been removed.

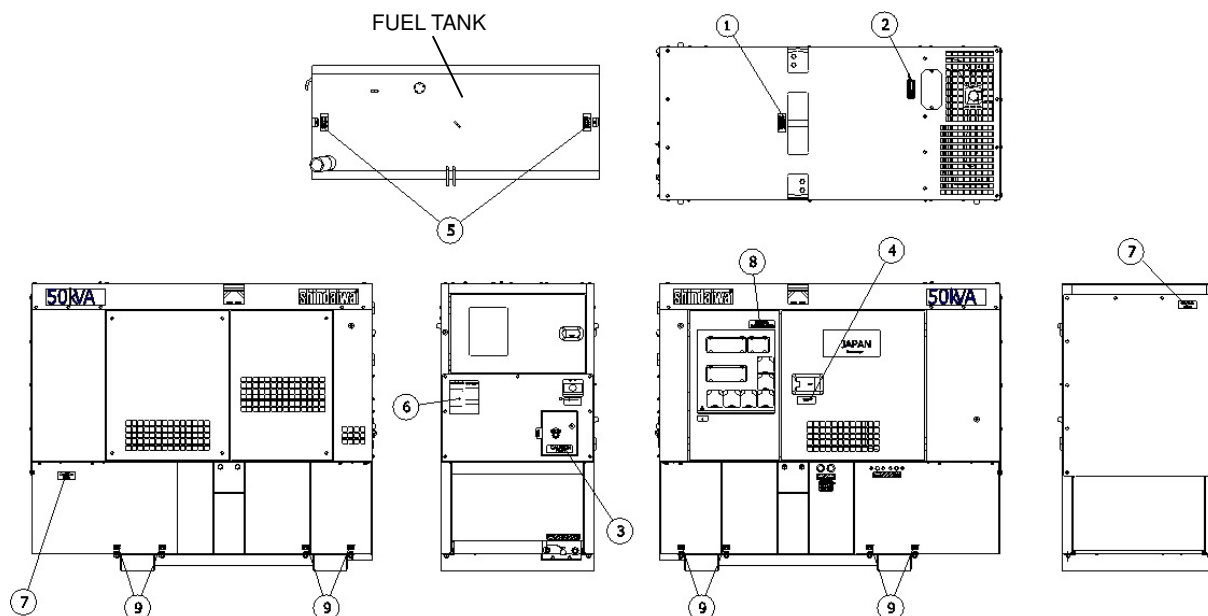
⚠ CAUTION : PROPERTY DAMAGE

- If using this generator for medical equipment, check before use with the medical equipment manufacturer, doctor, hospital or similar entity.
- Check that the generator output setting, output terminal connection and load power source are consistent.
- Cable burnout can occur due to generated heat if the load current exceeds the allowable current of the cable.
- The voltage drop between cables is large if the cable is excessively long or thin, resulting in decreased input voltage to equipment using the generator, thereby causing decreased performance, faulty operation and malfunction.

■ Warning /Caution Label Locations

If warning or caution labels become damaged and difficult to read, replace with new labels in the indicated locations. Order labels using part number indicated in the parenthesis.

- | | |
|--------------------------|--------------------------|
| ① Injury | (Part no. : X505-007550) |
| ② Caution: gm spec LLC | (Part no. : X505-007840) |
| ③ Warning: fire | (Part no. : X505-007650) |
| ④ Injury | (Part no. : X505-010350) |
| ⑤ Injury | (Part no. : X505-007820) |
| ⑥ Warning caution | (Part no. : X505-007571) |
| ⑦ Burn | (Part no. : X505-007830) |
| ⑧ Electric shock | (Part no. : X505-007560) |
| ⑨ Spill containment bolt | (Part no. : M707-000380) |



2. Specifications

2-1. Specifications

	Model	Unit	DG50MKM-P/ANZ
Alternator	Generating Type	-	Rotating Field, Brushless 3-Phase Synchronous Alternator
	Rated Output	kVA	50
		kW	40
	Rated Voltage	V	415
	Rated Current	A	69.6
	Rated Frequency	Hz	50
	Winding	-	3-Phase, 4-Wire
	Power factor	%	80
	Insulation class	-	F
	Excitation	-	Self-Excitation(Brushless)
No. of poles	-	4	
Engine	Types	-	Vertical Water-Cooled 4-Cycle Diesel Engine
	Model (Manufacturer)	-	V3800DI-TI (KUBOTA)
	No. of Cylinders (bore x stroke)	mm	4 (100 X 120)
	Continuous rated output	kW	49.2
		PS	66.9
	Rated speed	min ⁻¹	1500
	Displacement	L	3.769
	Combustion system	-	Direct Fuel Injection with Turbo Charger
	Cooling method	-	Radiator
	Lubricating method	-	Forced Lubrication
	Starting method	-	Electric Start
	Fuel	-	Diesel Fuel (ASTM No. 2-D)
	Lubricant oil	-	CF class
	Fuel tank capacity	L	420
	Lubricant volume (Full)	L	13.2
	Cooling water volume	L	12.5
	Starting motor capacity	V-kW	12 - 3.0
Charging dynamo capacity	V-A	12 - 80	
Battery	-	130E41R	
Unit	Length	mm	1970
	Width	mm	880
	Height	mm	1665
	Dry Weight	kg	1315
	Installed Weight	kg	1705

2-2. Ambient Conditions

Use this generator in ambient conditions as described below. Failure to provide these conditions can result in problems such as malfunction, insufficient output and reduced durability.

- Ambient temperature: -15 to 40 degree Celsius
- Relative humidity: 85% or less
- Elevation: 300 m or less

3. Applications

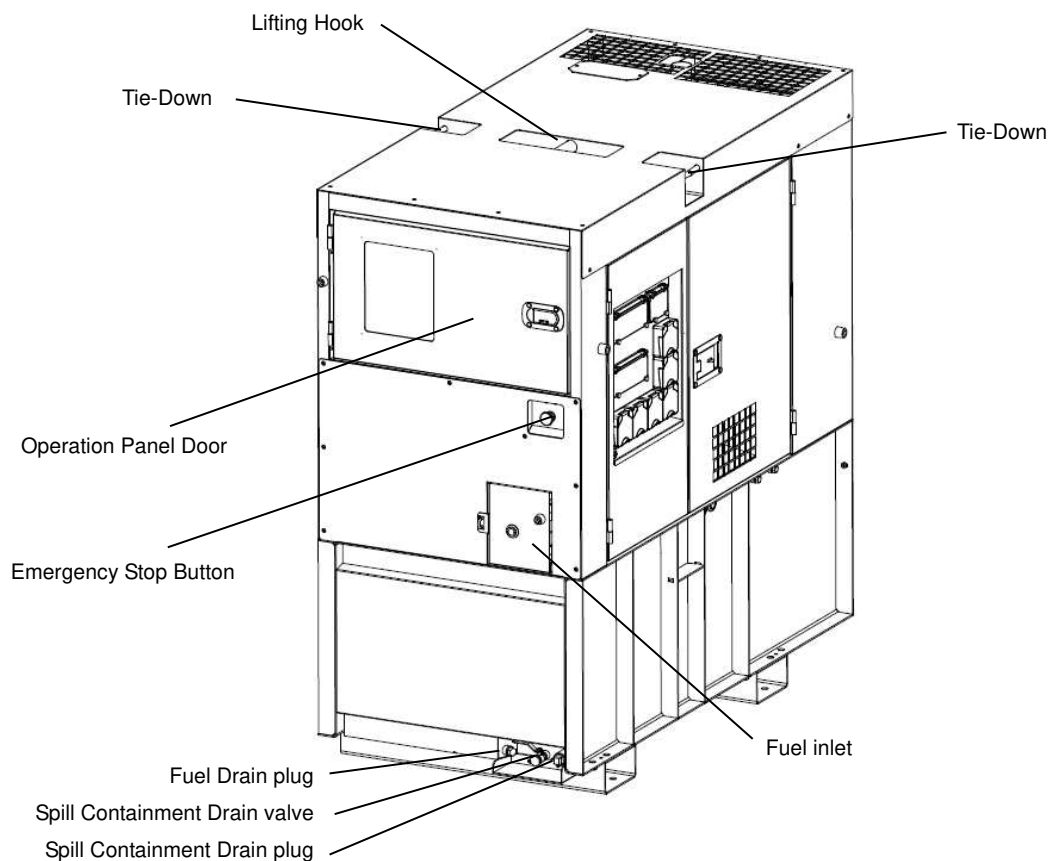
- Power source for submerged pumps and similar civil engineering equipment
- Power source for lighting and similar equipment
- Power source for electrical tools and household appliances

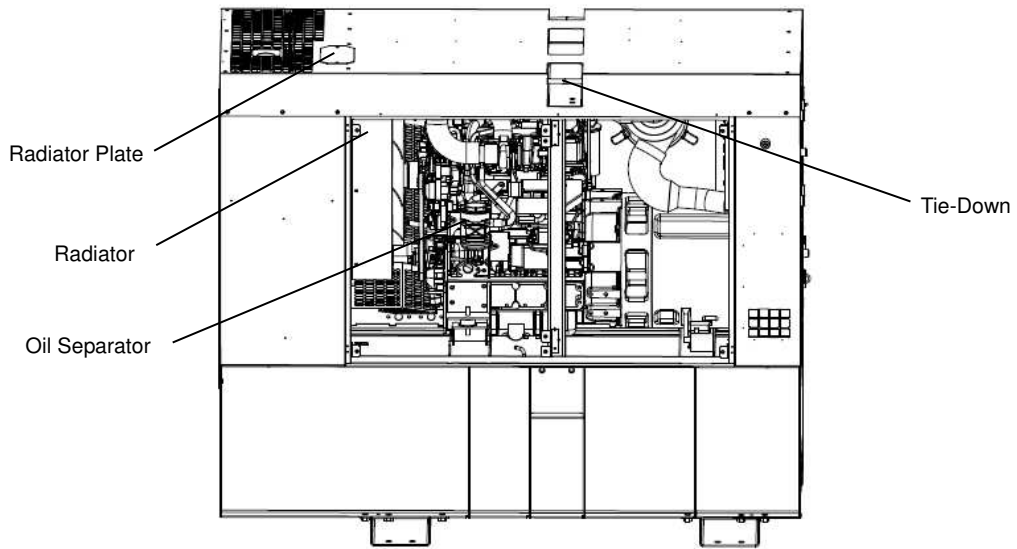
⚠ CAUTION : PROPERTY/SECONDARY DAMAGE

- Do not use for any application other than those listed above.
- If using this generator for medical equipment, check before use with the medical equipment manufacturer, doctor, hospital or similar entity.

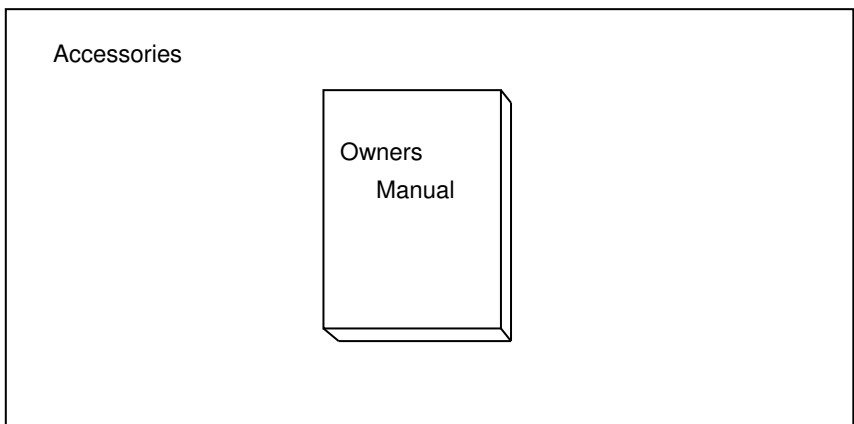
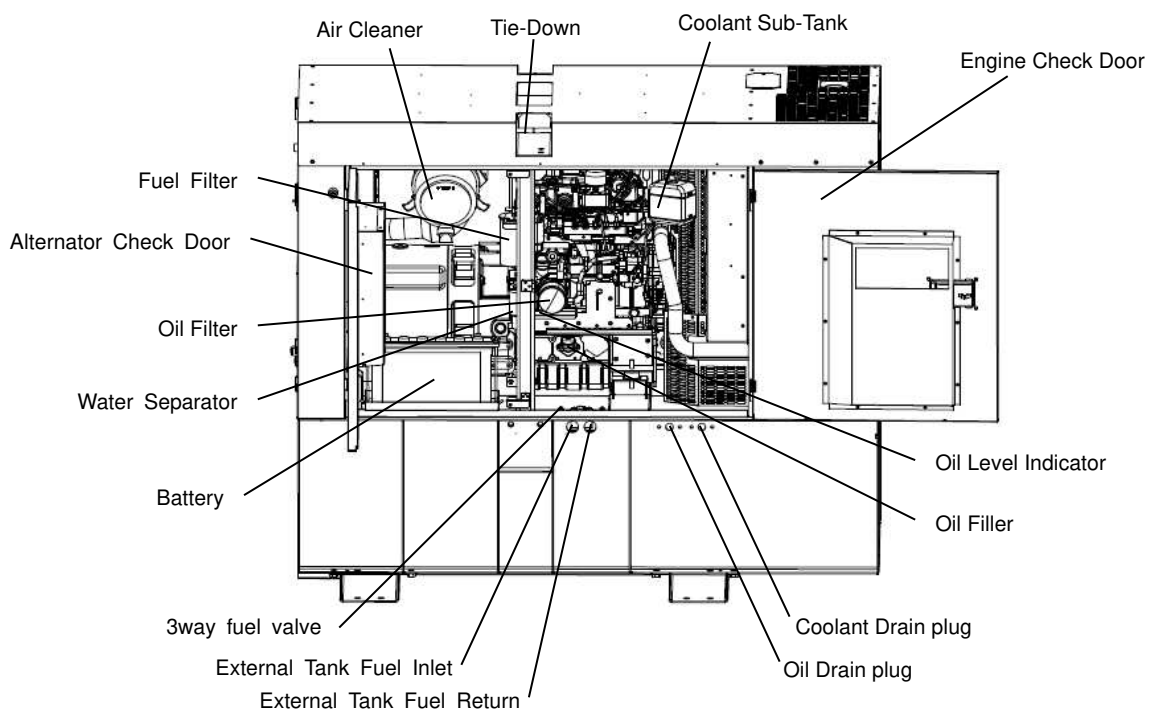
4. Part Names

4-1. External View/Part Names

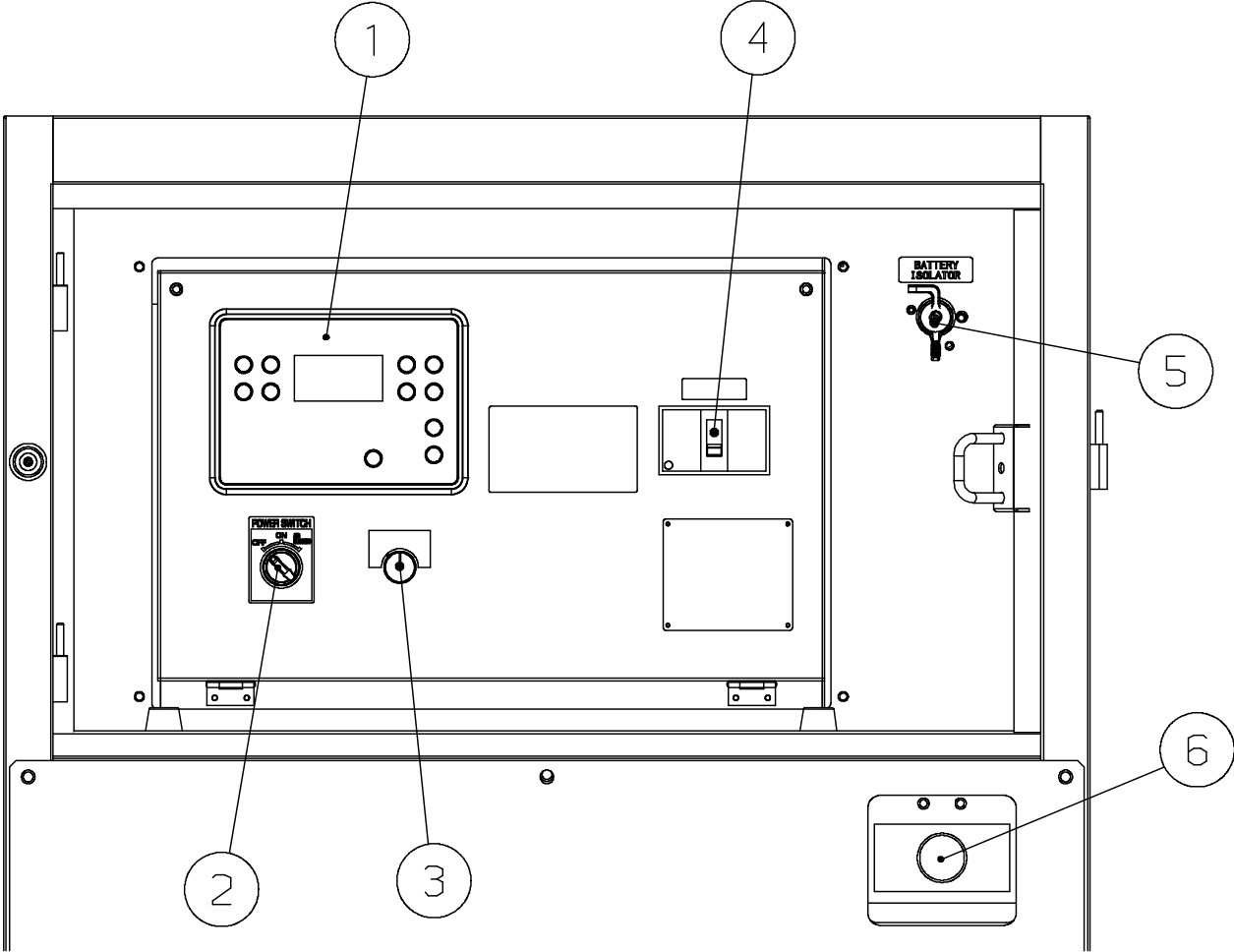




* Shown with side-plate removed.

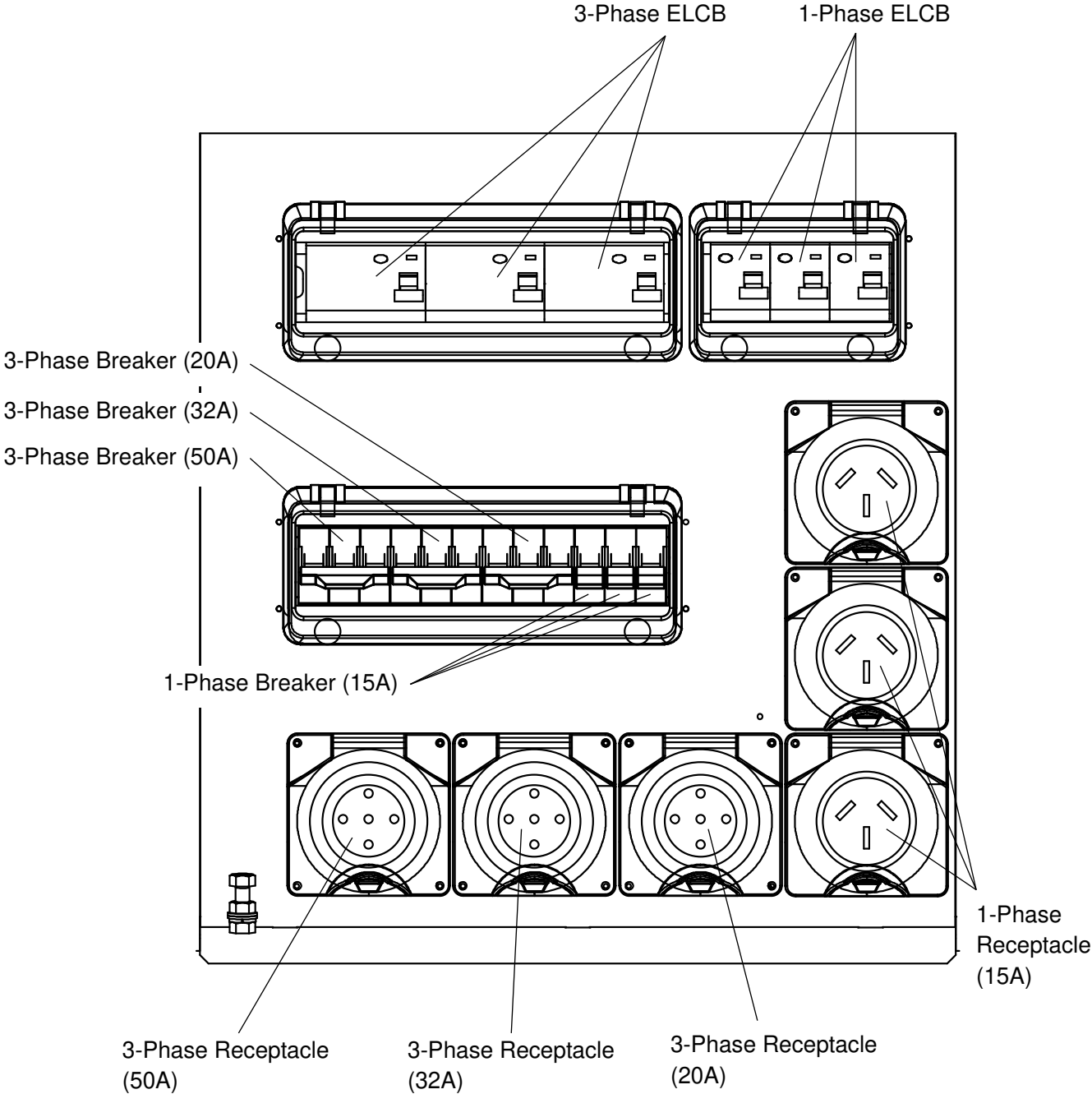


4-2. Operation Panel Part Names



①	Controller	④	Main Circuit Breaker
②	Power Switch / Air Bleeding	⑤	Battery Isolator
③	Voltage Regulator	⑥	Emergency Stop Button

4-3. Output Panel

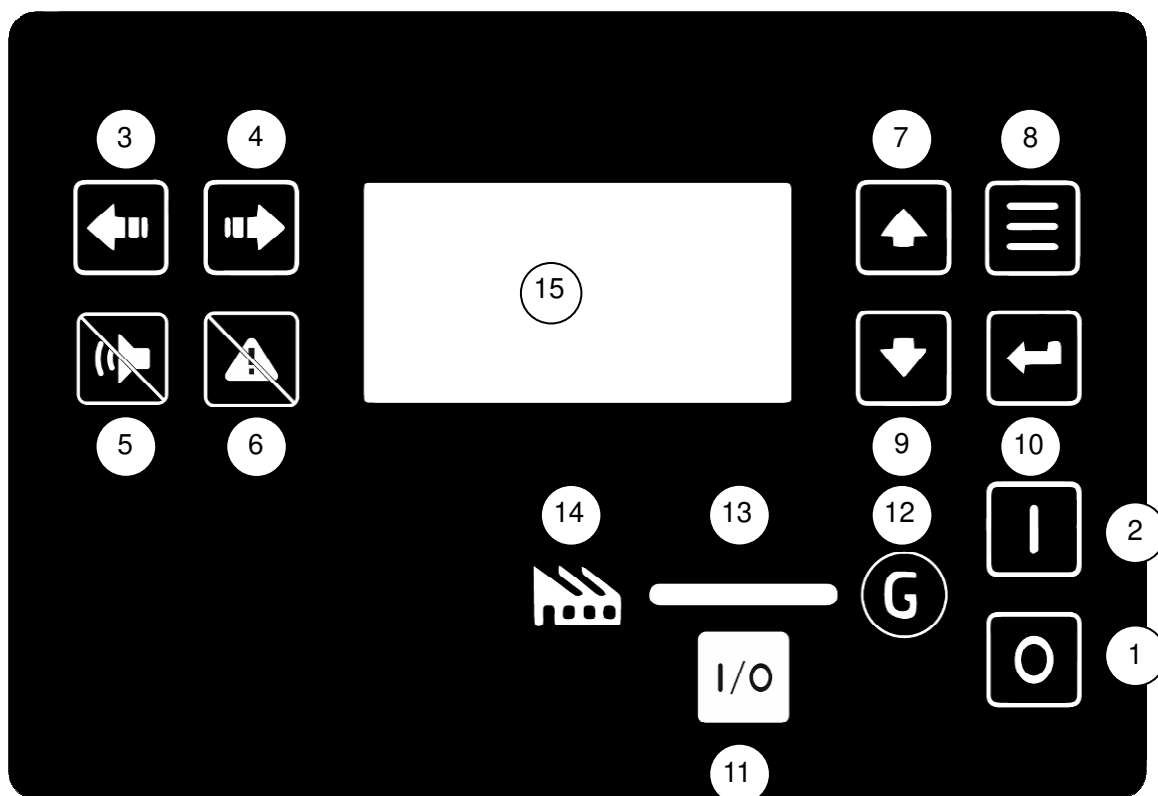


5. Equipment

5-1. Controller

This generator has a Controller which is used for starting or stopping the power generator or the engine, for monitoring. If you turn the Power Switch to ON position, the status Screen appears.

(1) Front panel elements



- ① **STOP button**
Press this button to initiate the stop sequence of the gen-set.
- ② **START button**
Press this button to initiate the start sequence of the engine.
- ③ **LEFT button**
Use this button to move left or to change the mode. The button can change the mode only if the main screen with the indicator of currently selected mode is displayed.
- ④ **RIGHT button**
Use this button to move right or to change the mode. The button can change the mode only if the main screen with the indicator of currently selected mode is displayed.

⑤ **HORN RESET button**

Use this button deactivate the horn output without acknowledging the alarms.

⑥ **FAULT RESET button**

Use this button to acknowledge alarms and deactivate the horn output. Inactive alarm will disappear immediately and status of active alarms will be changed to “confirmed” so they will disappear as soon as their reasons dismiss.

⑦ **UP button**

Use this button to move up or increase value.

⑧ **PAGE button**

Use this button to switch over display pages.

⑨ **DOWN button**

Use this button to move down or decrease value.

⑩ **ENTER button**

Use this button to finish editing a setpoint or moving right in the history page.

⑪ **GCB button**

No use.

⑫ **GENERATOR status indicator**

There are two states – Gen-set OK (indicator is green) and Gen-set failure (indicator is red). Green LED is on if the generator voltage is present and within limits. Red LED starts flashing when gen-set failure occurs. After FAULT RESET button is pressed, goes to steady light (if an alarm is still active) or is off (if no alarm is active).

⑬ **GCB on**

No use.

⑭ **Load**

No use.

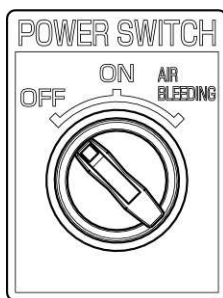
⑮ **Operation Display**

< Note>

- The displayed information is structured into “pages” and “screens”. USE PAGE button to switch over the pages.

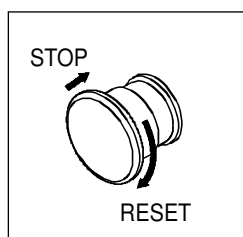
5-2. Switches

(1) Power Switch / Air Bleeding



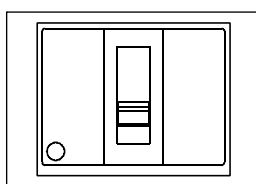
This is the main Power Switch of the generator.
When the Power Switch turned to OFF position, the Controller is OFF.
When the Power Switch turned to AIR BLEEDING position, automatically starts air-bleeding device.

(2) Emergency Stop Button



This button is used to stop the engine in emergency.
By inserting the button, the engine stops.
Be sure to restore the Power Switch to OFF and re-set the button, turning clockwise after using the emergency stop button.

(3) Main Circuit Breaker

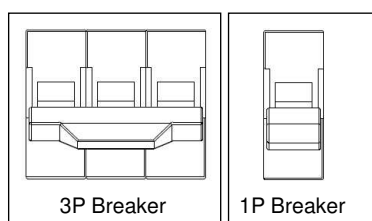


By turning this circuit breaker on the control panel to ON, Power will be transferred to the output receptacles and to the load side.
The breaker trips to OFF, either overload or short-circuit.

< Note >

- Do not use ELCB as the ON/OFF switch to the load.

(4) 3-Phase Circuit Breaker, 1-Phase Circuit Breaker



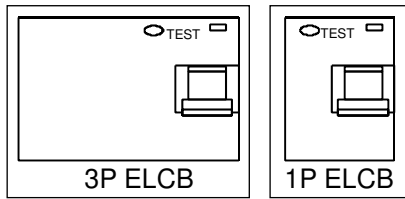
Each receptacle, 3-Phase and 1-Phase is incorporated with circuit breaker respectively.
The breaker trips on overload or short-circuit on to stop power transmission to load.

< Note >

- Do not use this breaker as the ON/OFF switch to the load.

(5) 3-Phase Earth Leakage Circuit Breaker (3P ELCB)

1-Phase Earth Leakage Circuit Breaker (1P ELCB)

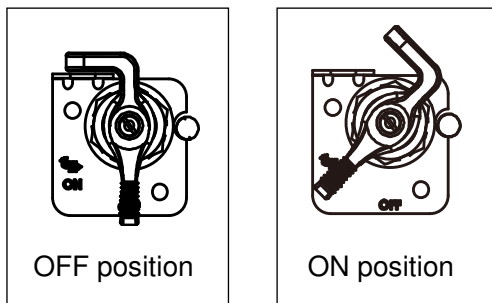


Each receptacle, 3-Phase and 1-Phase is incorporated with ELCB respectively. When current leak occurs, it trips to stop power transmission to load.

< Note >

- Do not use this breaker as the ON/OFF switch to the load.

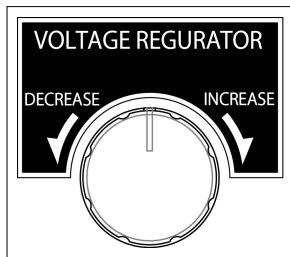
(6) Battery Isolator



When turning the switch to OFF, the engine electric circuit does not activate due to no battery power.

5-3. Voltage Regulator

(1) Voltage Regulator



The dial adjusts generator output voltage. By turning the dial clockwise, you can increase the voltage. By turning the dial counter-clockwise, you can decrease the voltage.

5-4. Fuel Piping Switch (3Way Fuel Valve)

⚠ CAUTION : FIRE 🔥

- Always make sure that the engine is stopped when working on piping.
- Always be sure to wipe up any spilled fuel.
- After working on the piping, check that there is no fuel leakage.

Change the three-way fuel valve to switch to supply fuel from the external tank. In that case, the internal fuel tank is not used.

(1) If using the internal fuel tank

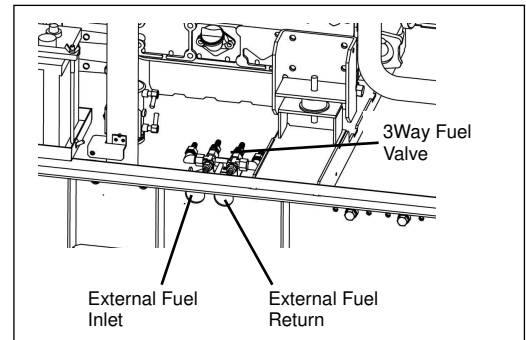
The three-way fuel valve is turned to the “A” side when the generator is shipped from the factory.

< Note >

- When disconnecting piping from the external tank, turn the lever to the “A” side, and attach the bundled plug (R3/8”) to the external tank fuel inlet/return.


(2) If using an external fuel tank

Connect hoses from the external fuel tank to the external fuel inlet and the external fuel return. Change the lever of the 3way fuel valve to the “B” side to supply fuel from the external tank. (Refer to “9-5. Connecting with External Fuel Tank” for corresponding procedures.)



6. Transporting/Installing

6-1. Transport Procedures

⚠ WARNING : INJURY 

- Do not lift up the unit using tie down. Use of such could result in the generator falling.
- No persons should be under a lifted generator.

⚠ CAUTION : INJURY

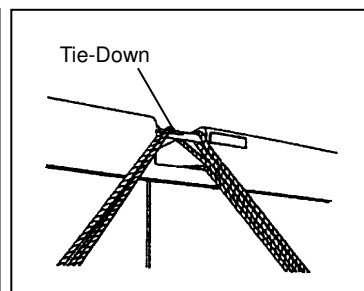
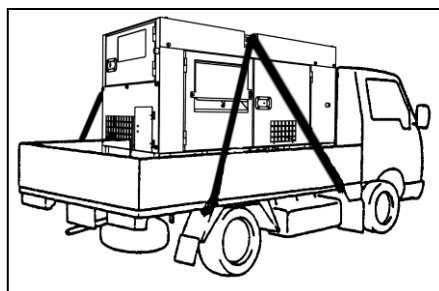
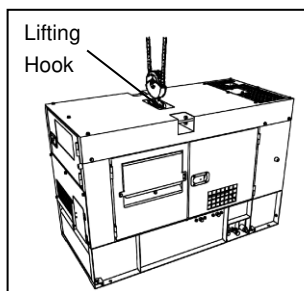
- Always be sure to use lifting hooks when lifting up the generator, and raise it slowly at a completely vertical angle.
- Personnel performing lifting work must wear protective gear such as helmets, safety shoes and gloves.
- Do not move the generator during operation.

(1) Lifting Procedures

Always be sure to use lifting hooks when lifting up the generator, and raise it slowly at a completely vertical angle.

(2) Transport

When transporting this generator, tie rope to the left and right tie downs, and securely fix the generator.



< Note >

- Handle this generator with great care when raising, lowering and transporting. Rough handling of generator can result in damage or malfunction.
- Before transporting, check the inside of the spill containment and drain any accumulated liquid.

6-2. Installation Procedures



WARNING : SUFFOCATION FROM EXHAUST FUME



- Do not operate the generator in poorly ventilated areas such as indoors or tunnels, as the exhaust gas of the engine contains substances that are harmful to human health.
- Do not direct exhaust fumes at pedestrians or buildings.



CAUTION : FIRE



- Do not bring flammable items (such as fuel, gas and paint) or items that are highly combustible near the generator as the muffler, exhaust gas and other parts become extremely hot.
- Keep this generator 1m or more from walls or other hindrances, and on a level surface.
- Remove the wood ties if using anchors to secure the generator.
- Do not connect the generator output to indoor wiring.

- If installing this generator, set up barriers or fencing completely around the boundary line of the construction area and take measures to prevent persons not involved in the construction from entering the area.
- Always set the generator on a hard, flat and leveled surface that serves as the foundation.
- Keep the generator 1 m or more from walls or other hindrances so that the operation panel door and left/right check doors are accessible for internal inspection/maintenance.

< Note >

- This equipment must be operated on hard and flat surface. Operating under any other conditions may result in malfunctions.
- Do not block the airflow from radiator vent or muffler exhaust. It may result in reduced engine performance, overheating, or damage to the electrical parts.
- Operating in dusty area or salty air (by the ocean), or any other particulate environment may result in clogged radiator, which may cause overheating, other malfunctions and insulation deterioration. Use extreme care, frequent checks and maintenance.

7. Load Connections

7-1. Load Cable Selection



CAUTION : PROPERTY DAMAGE

- Cable burnout can occur due to generated heat if the load current exceeds the allowable current of the cable.
- The voltage drop between cables is large if the cable is excessively long or thin, resulting in decreased input voltage to equipment using the generator, thereby causing decreased performance, faulty operation and malfunction.

Select cable for use that has sufficient thickness and an allowable current possible for use, giving consideration to the distance from the generator to the equipment using the generator.

< Note >

- Select cable with a thickness that ensures that the voltage drop across the cable will be within 5% of the rated voltage.

■ Expedient Formula: the voltage drop of cables.

- 3-Phase 3-Wire

$$\text{Voltage Drop (V)} = \frac{1}{58} \times \frac{\text{Length (m)}}{\text{Dia (mm}^2\text{)}} \times \text{Current (A)} \times \sqrt{3}$$

- 1-Phase 2-Wire

$$\text{Voltage Drop (V)} = \frac{1}{58} \times \frac{\text{Length (m)}}{\text{Dia (mm}^2\text{)}} \times \text{Current (A)} \times 2$$

7-2. Connecting Load Cables



WARNING : ELECTRIC SHOCK



- Before connecting or disconnecting the load cables to/from the output terminal, always turn the output circuit breakers to the OFF position, stop the engine, and turn the Power Switch to the OFF position.
- Close the output terminal cover before operating.
- Do not touch the generator if the Alternator or casing becomes wet during operation.



CAUTION : FIRE



- Do not connect the generator output to indoor wiring.

< Note >

- Divide loads into 3 circuits proportionally as possible, when using the maximum output power especially, and connect them to each phase (R,S,T) respectively.
- Be careful to limit the current under the rated current per the phase.
- Note that the 1-phase output power decreases when 3-phase output power is used simultaneously.
- Be careful to limit the total current under the rated output current when using 1-Phase and 3-Phase output simultaneously.

7-3. Earth Leakage Relay and Grounding



WARNING : ELECTRIC SHOCK



- Ground the every grounding terminal to the earth as set in the manual.
- If even one of all is unconnected by mistake or accident, it will be much more dangerous for human than the NO-RELAY case, because leaking current inevitably goes through the body.
- Even though all the bonnets of the loads have been grounded to the earth, the bonnet grounding terminal should be grounded to the earth.
- Grounding should be made after the engine is stopped.
- Whenever the Earth leakage breaker is activated, you should always repair the leaking place first of all.

The generator is provided with the earth leakage breaker relay to detect any leakage produced due to such the trouble as insulation failure of the load while the generator is running and to cut off the circuit for protection against any accident such as electrical shock resulting from the trouble. The specification of the earth leakage relay ;

- Rated Sensitive Current: 30mA (or below) (Grounding resistance: 500Ω or below).
- Sensitive time: Within 0.1 second.

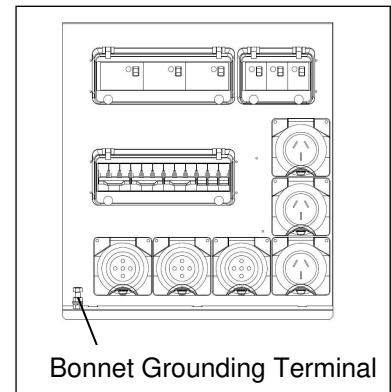
(1) Grounding Work

The qualified electrician should perform the grounding of the following 2 points(500 Ω or below).

- The Bonnet grounding terminal of the generator.
- The Bonnet of the load.

< Note >

- In the event you cannot ground the generator to the earth, consult with the authorized distributor or our engineering section.



(2) Operation Check



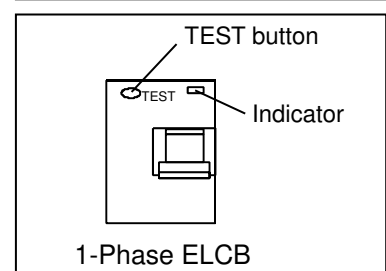
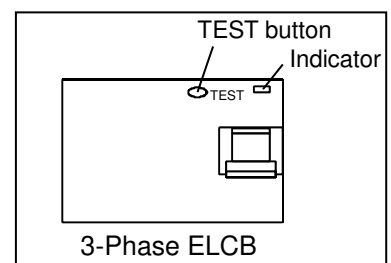
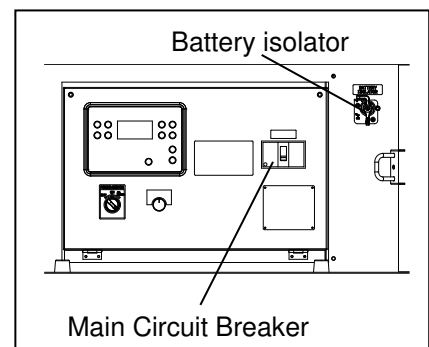
WARNING : ELECTRIC SHOCK

- Before turning the circuit breaker to ON position, ensure that the breaker or the switch of loads are positioned to OFF.
Operate the circuit breaker, well-communicating with the electrician by the load side.

Before operating the generator, check always if the device can work.

- Actuation test of the Earth Leakage Relay and Breaker.

- ① Ensure that the breaker and the switches of loads are positioned to OFF.
- ② Ensure that the main circuit breaker positioned to OFF. (Refer to "4-2.Operation Panel Part Names" and "4-3.Output Panel")
- ③ Following the procedure in 9-1, Initial Startup / Pre-Check, start an engine.
- ④ Turn every breaker and ELCB to ON .
- ⑤ Push the TEST button on 3-Phase ELCB.
Indicator changes to Green from RED and ELCB trips to OFF, Which shows NORMAL.
- ⑥ Push the TEST button on 1-Phase ELCB.
Indicator changes to Green from RED and ELCB trips to OFF, Which shows NORMAL.
- ⑦ Turn the main circuit breaker to OFF position.



In the event you cannot complete every step of the above procedure to the end, the device is out of order. Consult with our authorized distributor or our engineering section and ask to repair.

(3) Earth leakage circuit breaker (ELCB) has activated

When the ELCB has activated, repair the leakage point and restore it by the following procedure.

(Overload happens when the breaker activates but the Earth leakage breaker does not activate.)

- ① Turn the 3-Phase ELCB to ON to restore.
Turn the 1-Phase ELCB to ON to restore.

By the above procedure, you can reset the ELCB to ON positions.

8. Pre-Operation Inspection

⚠ WARNING : ELECTRIC SHOCK/INJURY

- Before performing any equipment check or maintenance, stop the engine, and turn the Power Switch to the OFF position.
- Close all doors and place locks during operating this equipment, to avoid injuries by unintentionally touching cooling fan and fan belt.

⚠ CAUTION : BURNS

- Do not touch the engine and surrounding components immediately after stopping the equipment, while temperature can reach extremely high.

⚠ CAUTION : FIRE

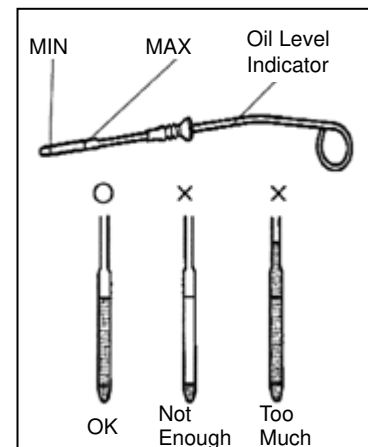
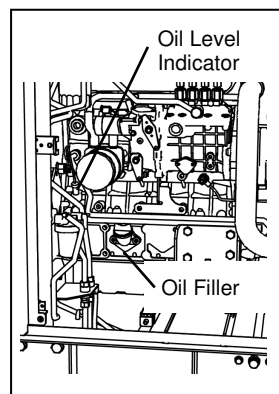
- Always be sure to wipe up any spilled fuel or oil.

8-1. Checking Engine Oil

To check the engine oil, keep the equipment in leveled position, remove the oil level indicator and wipe so that no oil remains, and then re-insert the dipstick fully. Prior to starting the engine, make sure to fill the engine oil through the oil filler until it reaches the MAX line.

< Note >

- Wait approximately five minutes or more after stopping the engine or adding oil before checking the oil level again.
- An accurate oil level reading cannot be obtained if the generator is not placed in leveled position.
- Do not overfill with oil to avoid engine damage.



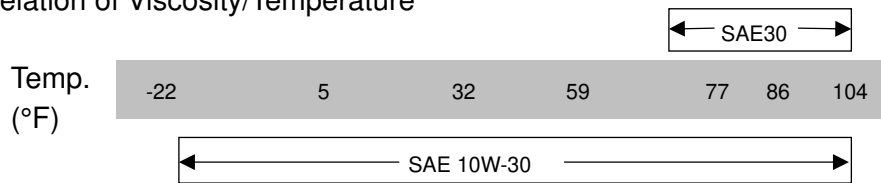
(1) Types of Engine Oil

Use only API service-type CF class.

(2) Engine Oil Viscosity

Use a diesel engine oil with an appropriate viscosity corresponding to the ambient temperature (refer to the table).

○ Relation of Viscosity/Temperature



(3) Engine Oil Replacement Amount

(Unit: Liter)

Total Lubrication Oil Amount
13.2 (0.4)

Value in parenthesis is the filter capacity.

8-2. Checking Coolant

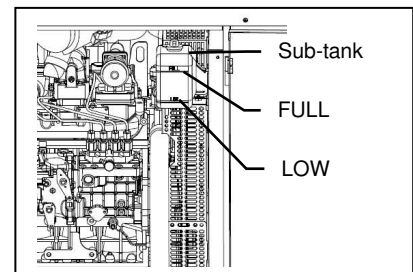
⚠ CAUTION : BURNS

- Do not open the radiator cap immediately after stopping the engine. Do so will result in steam gushing out.
- Hot steam gushes out from the coolant sub-tank if the generator overheats. Do not touch the coolant subtank.

Check that the subtank coolant level is in between FULL and LOW. If the subtank coolant is lower than the LOW level, add coolant to the subtank and radiator.

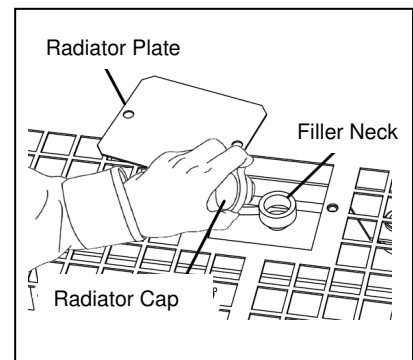
(1) Filling the Sub-Tank

- ① Remove the sub-tank cap.
- ② Fill the sub-tank with coolant until it reaches the FULL line.
- ③ Re-attach the cap.



(2) Filling the Radiator

- ① Remove the radiator plate.
- ② Remove the radiator cap.
- ③ Fill with coolant through the filler neck until the radiator is full.
- ④ Re-attach and tighten the radiator cap.
- ⑤ Attach the radiator plate.



< Note >

- Be sure to use the long life coolant (LLC) for the aluminium radiator only. The coolant should be mixed good quality softened tap water with anti-freezing and anti-rust liquid.
- At ex-factory, the LLC mix ratio is 30% liquid and 70% water is installed. (Isuzu Genuine LLC: Besco LLC Super-Type E).
- Be sure to use the same LLC into sub tank.
- The mix ration should be changed to ambient temperature but between 30 and 50%.
- When replenishing LLC, be sure to use the same brand as the LLC left in the radiator and sub tank.
- Never use the mixed LLC by different brands.
- Be sure to change wholly in less than 2 years or 2000 hours.

(3) Coolant Amount

(Unit: Liter)

Total Coolant Amount
12.5 (1.6)

Value in parenthesis is the sub-tank capacity.

8-3. Checking the Fuel

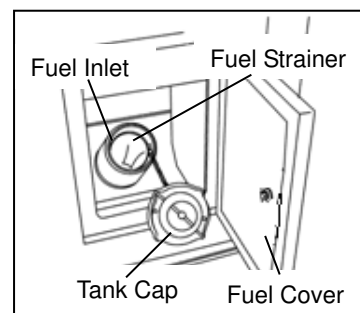


- This generator uses diesel fuel. Always be sure to stop the engine and not bring flames close when inspecting fuel or refueling. Wait until the engine has cooled before performing such procedures.
- If fuel spills, always be sure to open the spill containment drain valve and drain off the spilled fuel.
(Refer to section “**10. Inspection/Maintenance (11) Flushing Liquid in Spill Containment**”.)

Check for the fuel level in the tank. Add if necessary.

< Note >

- Use Diesel fuel, ASTM D975 No.2-D in the event ambient temperature reaches down to -5 degree Celsius.
- Always use the Diesel Fuel Strainer.
- Fill the fuel tank slightly less than the FULL tank level.
- Fuel requirements:420L



8-4. Checking the Spill Containment



- If fuel or oil is leaking, repair the leaking location before operating.

Open the check door and check the inside of the spill containment. Flush out any accumulated liquid. Refer to section “**10. Inspection/Maintenance (11) Flushing Liquid in Spill Containment**” for flushing procedures.

< Note >

- The types of liquids that can accumulate in the spill containment include oil, fuel, coolant and battery fluid such that it is not possible to distinguish between rain water and other liquids. Dispose of flushed liquids according to the related laws and regulations.
- Before transporting, check the inside of the spill containment and drain any accumulated liquid.

8-5. Checking for Fuel, Oil and Coolant Leaks

⚠ CAUTION : FIRE 

- If fuel or oil is leaking, repair the leaking location before operating.

Open the check door and check for fuel, oil and coolant leakage from fuel piping connections and similar locations.

8-6. Checking the Battery

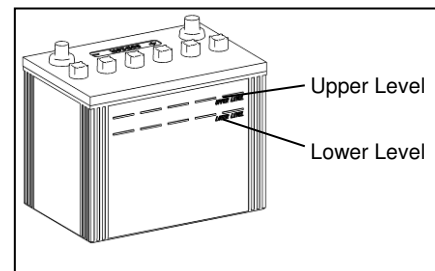
⚠ CAUTION : EYE/SKIN INJURY 

- Wear rubber gloves and other protective wear to protect eyes, skin and clothing from the battery fluid which contains diluted sulfuric acid. If the battery fluid contacts eyes or skin, wash out immediately with a large amount of water. Be sure to receive medical treatment, especially if the fluid contacts the eyes.

⚠ CAUTION : EXPLOSION 

- Never use or recharge the battery if the fluid level is below the minimum level.
- Do not create sparks or bring flame near the battery as it generates flammable gas.

- ① Check the fluid level, and add distilled water when it is near the lower level until it reaches the upper level.
- ② Check the terminals for looseness and tighten if loose.

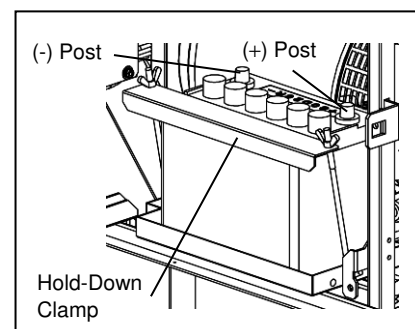


< Note >

- It is necessary to recharge the battery when the specific gravity of the battery fluid is 1.23 or less. Request the authorized distributor where the generator was purchased to recharge the battery.

■ Replacing the Battery

- ① Remove the battery negative (-) cable. (Always be sure to remove the negative (-) side first.)
 - ② Remove battery hold-down clamp.
 - ③ Remove the battery positive (+) cable.
 - ④ Remove the battery.
- * Install the battery by performing the above procedures in the reverse order. (First connect the positive (+) cable of the replaced battery.)



9. Operating Procedures

9-1. Initial Startup/Pre-Check

WARNING : EXHAUST GAS POISONING

- Do not operate the generator in poorly ventilated areas such as indoors or tunnels, as the exhaust gas of the engine contains substances that are harmful to human health.
- Do not direct exhaust fumes at bystanders or buildings.

WARNING : INJURY

- Always be sure to check that the breakers on load side and switches for any equipment using the generator are at OFF before turning the breaker to ON. Also be sure to advise personnel on the load side that power will be turned on before operating the breaker.
- Close all doors and lock them during operation.

CAUTION : FIRE

- Do not bring flammable items (such as fuel, gas and paint) or items that are highly combustible near the generator as the muffler, exhaust gas and other parts become extremely hot.
- Position this generator 1 m or more from walls or other hindrances, and on a level surface.

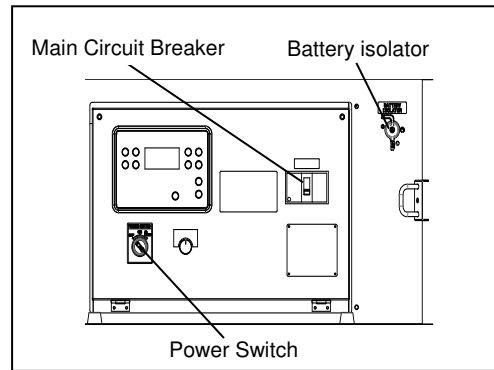
CAUTION : INJURY

- Do not operate the generator if it has been modified or any parts have been removed.
- Position the generator on a level stable surface so that it cannot slide or move in any manner.
- Before starting operation, always be sure to turn off all switches of equipment being used and all breakers to OFF.

< Note >

- Check that the surrounding area is safe before starting the engine.
- When there are multiple workers who are working together, they must mutually signal each other before starting the engine.
- Do not use in an area with high temperature or humidity, or an area with a large amount of dust.
- Do not open any doors during operation. Operating with door open can negatively affect cooling effect, resulting in an equipment malfunction.
- Use ear protection if the level of noise is high. Failure to do so could result in hearing damage.
- Please be careful about a strong wind and the opening and shutting of the door at the sloping place enough. A door is open suddenly and is closed, and a finger might be sandwiched.

- ① Turn the every circuit breaker to OFF position.
- ② Turn the Battery Isolator to ON position.
- ③ Turn the Power switch to ON position.



- ④ Check MAN mode.



- ⑤ Press the Start button to start the engine.

< Note >

- If you need to restart, wait at least 30seconds before the retry.
- Be aware that smoke might be generated when the engine is started.

- ⑥ Let engine idles for approximately for five minutes.
- ⑦ Adjust the voltage regulator dial to the specified voltage.
- ⑧ Turn the circuit breakers to ON to start AC power delivery.

9-2. Procedures during Operation

(1) Checks after Startup

- Make sure that the controller is in normal status. (Refer to section “5. Equipment”.)
- Check that there is no abnormal vibration or noise.
- Check that the exhaust gas color is normal. When operation is normal, the exhaust gas should be colorless or slightly bluish.

< Note >

- If abnormal, stop using this generator and request authorized distributor where the generator was purchased to repair the generator.

(2) Adjustment during Operation

During load operation, check the voltage on the Operation Display and finely adjust voltage using the voltage regulator dial.

■ Bleeding air from the fuel system when the engine stops due to running out of fuel
This generator is equipped with an automatic air bleeding mechanism. Perform the following procedures when the engine stops due to running out of fuel to easily bleed the air from the system.

- ① Add fuel to the generator.
- ② Turn the Power Switch to AIR BLEEDING position. Air bleeding is completed approximately in 30 sec.
- ③ Press the start Button, and confirm the engine has started properly.

< Note >

- Start the engine and check that the air is completely bled from the system. If air bleeding is not complete, engine rotation will not be stable. In that case, repeat the air bleeding operation.

9-3. Stopping Operation



- Do not touch the engine and surrounding components immediately after stopping the engine as they are still hot.

- ① Turn the switches and breakers on the load side to OFF position.
- ② Turn the every circuit breaker to OFF position.
- ③ The engine cools down for approximately three minutes.
- ④ Press the Stop button to shut off the engine.
- ⑤ Turn the Power Switch to OFF position.
- ⑥ Turn the Battery Isolator to OFF position.

9-4. Protective Functions



- Do not open the check door when the Power Switch is in the ON position. It will cause injury by rotating parts such as cooling fans and fan belt.
- Always turn the Power Switch to the OFF position and stop the engine, then close and lock OPERATION PANEL DOOR before checking or maintaining the engine or any equipment.



- Do not touch the engine and surrounding components immediately after stopping the engine as they are still hot.
- Hot steam gushes out from the coolant subtank if the generator overheats. Do not touch the coolant subtank.

This generator is equipped with functions to automatically stop operation when there is a fault/malfunction during operation, and one to warn the operator of the fault location by use of the Operation Display. Check the fault location when the engine is automatically stopped or appear warning on the Operation Display .

Protection Feature List

No.	Action Abnormality	ELCB Trip	Breaker Trip	Engine Automatic Shutdown	Controller display	Cause
1	High Water Temperature	-	-	○	○	Activates due to high water temperature in the engine Default 115°C
2	Low Oil Pressure	-	-	○	○	Activate due to low oil pressure in the engine Default 0.49 × 100 kPa (0.5kgf/cm ²)
3	Battery Charge Insufficient	-	-	○	○	Activates in battery charge Impossible
4	Engine Overspeed	-	-	○	○	Engine speed is too fast (2070 min ⁻¹ or more)
5	Air Filter Clogging Up	-	-	-	○	The element is clogged making it necessary to clean or replace the element
6	Spill Containment Fluid Level	-	-	-	○	Spill containment accumulated fluid has exceeded the specified level making it necessary to flush the fluid
7	Current Leakage	○	○	-	-	Activates in current leakage
8	Overload	-	-	○	○	Activates in overload
9	Fuel Level Low	-	-	○	○	The amount of fuel is small
10	Fail to Start	-	-	-	○	The engine fails to start three times

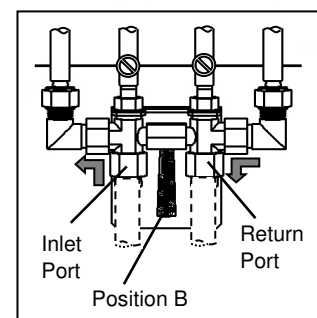
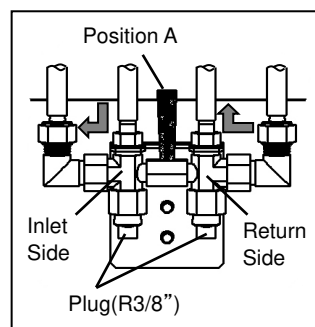
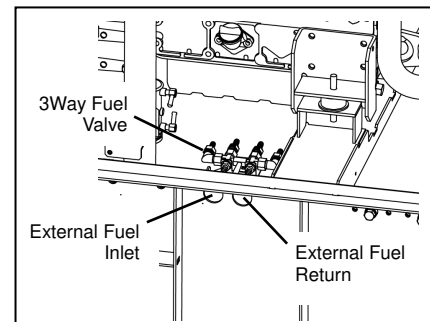
* ○ indicates the automatic activation.

9-5. Connecting with External Fuel Tank

⚠ CAUTION : FIRE

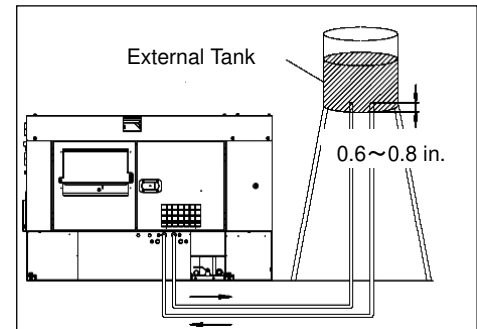
- Always make sure that the engine is stopped when working on piping.
- Always be sure to wipe up any spilled fuel.
- After working on the piping, check that there is no fuel leakage.

- ① Turn the 3way fuel valve lever to the “A” side. (Position for using the internal tank.)
- ② Remove the plugs(R3/8”) from both the external fuel inlet and the external fuel return.
- ③ Connect the hoses from an external fuel tank, as shown below.
- ④ Turn the 3way fuel valve lever to the “B” side. (Position for using the external tank.)
- ⑤ Bleed air from the external tank connecting hose. Fuel can be supplied from the external tank after completing the above procedures.




< Note >


- If using a hose for the piping, use oil-resistant hose with an internal diameter of 8 to 9 mm.
- Set the fuel level of the external fuel tank from 0 to 3 m from the underside of this generator. The fuel level of the external fuel tank being lower than this generator will result in poor engine operation or stoppage.
- Turn the 3way fuel valve lever to the “A” side in order to prevent fuel from flowing out from the external tank fuel inlet/return.
- Turn the lever completely as far as possible. If the lever is not completely pressed to either side, it might not be possible to supply fuel causing the engine to stop.
- Set the supply side so that it is 15 to 20 mm above the underside of the tank in order to prevent foreign material or water from being suctioned from inside the external fuel tank.
- Set the external fuel tank return side at the same height as the supply side in order to prevent poor engine operation due to air mixed in with the fuel.
- Refer to section “9-2 Procedures during Operation” for air bleeding.
- Some air may remain in hoses or pipes immediately after connecting the external fuel tank resulting in unstable engine speed and engine stoppage.
- Do not leave the generator unattended for unmanned operation until you have confirmed that the engine speed is stable.



10. Inspection/Maintenance

- ⚠ WARNING : ELECTRIC SHOCK/INJURY** 
- Do not touch receptacles or internal electric parts while the generator is operating.
 - Do not open the check door during operation. Be careful of pinching or catching of moving parts such as the cooling fan and fan belt.
 - Always be sure to stop the engine and turn the Power Switch to the OFF position when performing inspection or maintenance.
 - Do not lift up using tie downs. Use of such could result in the generator falling.
 - No persons should be under a suspended generator.

- ⚠ CAUTION : FIRE** 
- Always be sure to wipe up any spilled fuel or oil.

- ⚠ CAUTION : BURNS** 
- Do not touch the engine and surrounding components immediately after stopping the engine as they are still hot.
 - Do not open the radiator cap immediately after stopping the engine. Do so will result in steam gushing out.
 - Hot steam gushes out from the coolant subtank if the generator overheats. Do not touch the coolant subtank.

- ⚠ CAUTION : INJURY**
- Personnel performing suspension work must wear protective gear such as helmets, safety shoes and gloves.
 - Always be sure to use lifting hooks when suspending the generator, and raise it slowly at a completely vertical angle.

Perform periodic inspection and maintenance according to the following table in order to constantly maintain this generator in good working condition.

< Note >

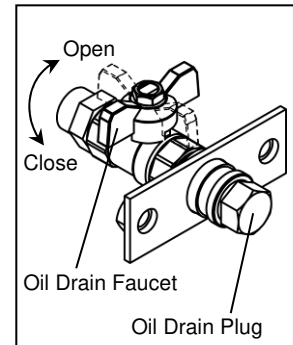
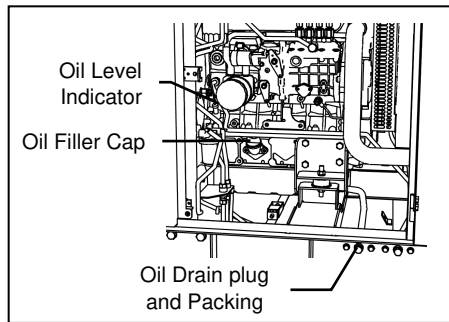
- All procedures except for pre-operation inspection should be performed by specialized technicians.
- Request authorized distributor where the generator was purchased to perform the procedures in the table with a “●”.
- Always be sure to use genuine parts or those indicated specifically for replacement parts.
- Use a container to catch fluid bled from this generator that is large enough to prevent the fluid from spilling on the ground.
Dispose of oil, fuel, coolant (LLC), filter, battery and other hazardous materials according to laws and regulations concerning industrial waste.
Contact authorized distributor where the generator was purchased if you have any inquiries regarding proper disposal.
- When check doors are open during maintenance, take measures so that unrelated personnel cannot accidentally come close to the generator. Close all doors and covers if you are going to be away from this generator.
- Please be careful about a strong wind and the opening and shutting of the door at the sloping place enough. When door is opened or closed suddenly, a finger might be sandwiched.

	Description	Daily	Every 250 hrs	Every 500 hrs	Every 800 hrs	Every 1000 hrs	Every 1500 hrs	Every 2000 hrs	Every 3000 hrs	Remarks	
Engine	Each parts (Clean/Tightening)	○									
	Check for leaks (Fuel/Oil/Coolant)	○									
	Engine oil (Check/Add)	○									
	Engine oil (Replace)			○ 1 st time at 50 hrs							
	Oil filter (Replace)			○ 1 st time at 50 hrs							
	Coolant (Check/Add)	○									
	Coolant (Replace/Radiator Flush)							○ or 2years			
	Water separator (Check/Drain excess water and sediments)	○									
	Water separator and Gauze filter(Clean)			○							
	Fuel filter (Replace)			○							
	Oil separator filter (Replace)					●					
	Fuel tank (Drain water)		○								
	Fuel tank (Clean)			●							
	Air cleaner element(Clean)		○ 1 st time at 50 hrs								
	Air cleaner element(Replace)	Once in 6 times cleaning or 1 year									
	Battery fluid level (Check/Add)	○									
	Battery gravity (Check)		○								
	Fan belt tension (Check)		○ 1 st time at 50 hrs								
	Fan belt (Replace)			● or 2years							
	Radiator and fins (Clean)			●							
	Fuel/Cooling Water/Oil/Air Hoses and Anti-Vibration Rubber (Check)	○									
	Fuel/Cooling Water/Oil/Air Hoses and Anti-Vibration Rubber (Replace)									● 2years	
	Exhaust color (Check)	○									
	Elimination of carbon in the exhaust pipe line and muffler		○								
Valve clearance (Check/Adjust)					●						
Fuel injector (Check)							●				
Supply pump (Check)								●			
Generator	Indicators, Gauges Alarms (Check)	○									
	Operation check of ELCB	○									
	Grounding resistance check	○									
	Insulation test		○								
Others	Spill containment fluid (Check/Drain)	○									
	Spill containment (Check/Clean)	○		● (Clean)							

(1) Engine Oil Replacement

First Time	50 hours
Thereafter	Every 500 hours

- ① Remove the oil filler cap.
- ② After removing the oil drain plug and packing(a rubber seal is attached),open the oil drain faucet and drain the engine oil.
- ③ After the oil has been drained,close the oil drain faucet and reinsert the oil drain plug with new packing(a rubber seal is attached).
- ④ Add oil through the oil filler until it is at the maximum level while checking the fuel level using the oil level indicator.
- ⑤ Attach the oil filler cap.



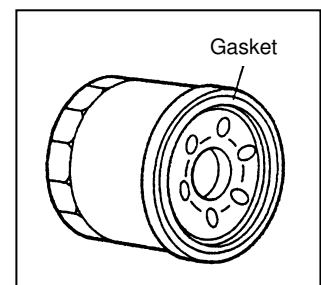
< Note >

- Refer to section “8-1. Checking Engine Oil” for engine oil replacement amounts and types.
- Replace the packing of the oil drain plug with new packing each time the oil is replaced.
- Packing part no. : V106-000190
- After reinserting the oil drain plug and shortly after starting the engine, be sure to always check that there is no oil leakage.

(2) Replacing the Oil Filter

First Time	50 hours
Thereafter	Every 500 hours

- ① Drain the engine oil. (Refer to section “(1) Engine Oil Replacement”.)
- ② Remove the oil filter using a filter wrench.
- ③ Spread a thin layer of oil on a new oil filter gasket.
- ④ Thread the oil filter by hand, and turn by hand (do not use a filter wrench) from when the gasket contacts the seal surface until it is securely tightened.
- ⑤ Add engine oil to the generator.
- ⑥ Shortly after starting the engine, always be sure to check that there is no oil leaking from the seal surface.



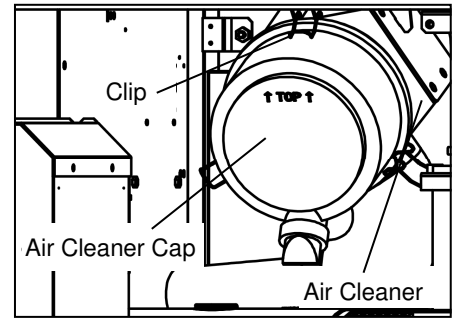
< Note >

- Request the authorized distributor where the generator was purchased to perform this procedure if you do not have a filter wrench.
- Oil filter part no. : 1C020-32434 (Kubota part no.)

(3) Air Cleaner Element Cleaning/Replacement

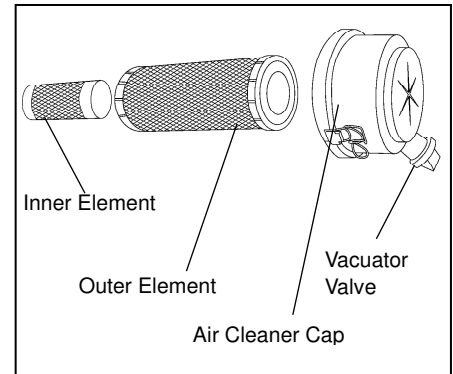
Clean	First Time	50 hours
	Thereafter	Every 250 hours
Replace	Once in 6 times cleaning or 1 year	

- ① Remove the air cleaner clips and cleaner cap.
- ② Remove the outer element.
- ③ Clean or replace the element. Replace by performing the above procedures in reverse order.



< Note >

- Always be sure to turn the cleaner cap in the direction indicated by the arrow.
- Replace the elements earlier if using in an excessively dusty location.
- Do not add oil as this generator uses a dry element.
- Clear foreign material by pinching the vacuator valve once a week in normal operating conditions or daily if operating in a location that is excessively dirty or dusty. Wipe away any dirt or moisture that has adhered to the parts.
- Never touch the elements for any reason except cleaning.
- Element part no.: Outer Element 59700-26112
Inner Element 55231-26151
(Kubota part no.)



■ Cleaning the air filter element

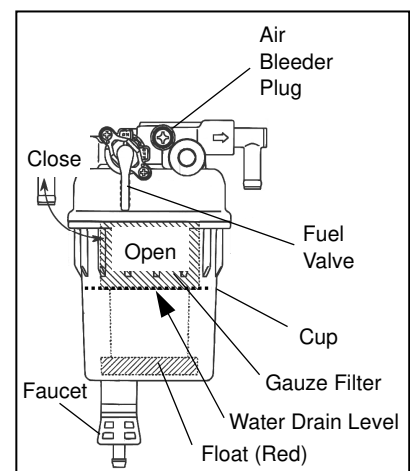
- If dry dust is adhering : Blow compressed air from inside the element.
- If carbon or oil is adhering : Replace with new parts.

(4) Draining Water from the Water Separator

Check	Daily
Clean	Every 500 hours

Drain water when the float (red) inside the cup floats up to the water drain line.

- ① Close the fuel valve.
- ② Loosen the faucet and then loosen the air bleeder plug.
- ③ After water has been drained, tighten the faucet and air bleeder plug.
- ④ If foreign material is adhering to the gauze filter in the cup, remove the cup, float and gauze filter, and clean by blowing compressed air from the inside of the gauze filter.
- ⑤ Reassemble the gauze filter, cup and float to their original locations.



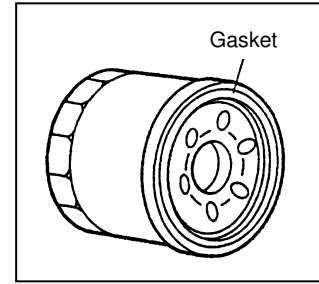
< Note >

- When attaching the cup, check that there is no foreign material adhering to the O-ring.
- After attaching, open the fuel valve, and be sure to always start the engine and check that there is no fuel leakage.
- Gauze filter part no. : RD451-51940 (Kubota part no.)
- If water is accumulate in the cup, draining water from the fuel tank.

(5) Fuel Filter Replacement

Replace	Every 500 hours
---------	-----------------

- ① Remove the fuel filter using a filter wrench.
- ② Spread a thin layer of oil on a new fuel filter gasket.
- ③ Thread the fuel filter by hand, and turn by hand (do not use a filter wrench) from when the gasket contacts the seal surface until it is securely tightened.
- ④ Shortly after starting the engine, always be sure to check that there is no fuel leaking from the seal surface.



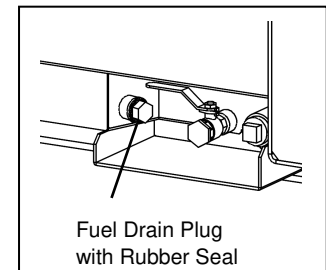
< Note >

- Be sure to wipe away any fuel that has spilled out of the piping when removing the filter.
- Fuel filter part no.:1K947-43172 (Kubota part no.)

(6) Draining Water from the Fuel Tank

Drain Water	Every 250 hours
-------------	-----------------

- ① Remove the fuel drain plug and packing (with rubber seal).
- ② After the water has been drained, reinsert the fuel drain plug with new packing (with rubber seal).



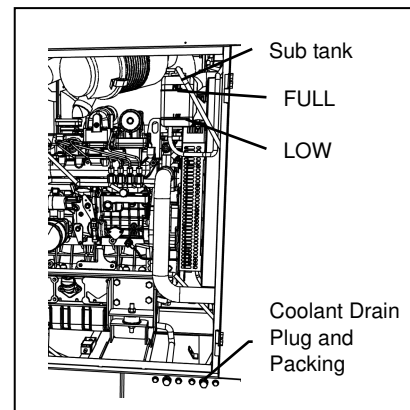
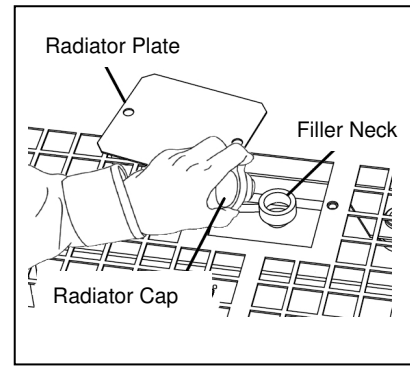
< Note >

- Replace the packing of the fuel drain plug with new packing each time the water is drained.
- Packing part no. : V106-000110
- After reinserting the fuel drain plug, be sure to always check that there is no fuel leakage.

(7) Coolant Replacement

Replace	Every 2 years or 2000 hours
---------	-----------------------------

- ① Remove the radiator plate.
- ② Remove the radiator cap.
- ③ Remove the coolant drain plug and packing.
- ④ After the coolant has been drained, reinsert the coolant drain plug with new packing.
- ⑤ Remove the subtank and flush the coolant from the subtank.
- ⑥ Reattach the subtank to its original position and fill with coolant until it reaches the FULL level.
- ⑦ Fill the radiator with coolant until it reaches the filler neck.
- ⑧ Re-attach and tighten the radiator cap.
- ⑨ Attach the radiator plate.



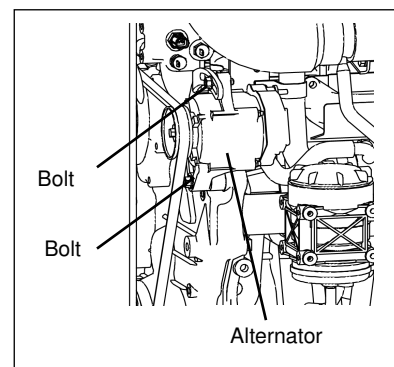
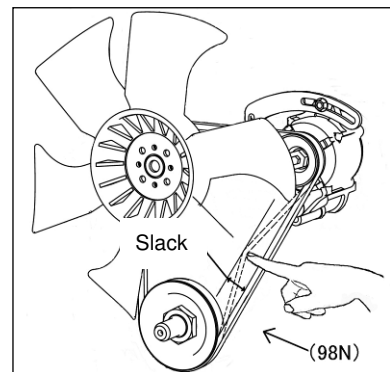
< Note >

- Refer to section “8-2. Checking Coolant” for coolant information.
- Replace the packing of the coolant drain plug with new packing each time the coolant is changed.
- Packing part no. : 6C090-58961 (Kubota part no.)
- After reinserting the coolant drain plug and shortly after starting the engine, be sure to always check that there is no coolant leakage.

(8) Fan Belt Tension Check

First Time	50 hours
Thereafter	Every 250 hours

- ① Remove the fan guard.
- ② Push the center of the fan belt with your finger (about 98N “10kgf”), check the slack is 10 to 12mm.
- ③ If the belt tension is too loose, adjust the alternator position by unscrewing two bolts that holding the alternator.
- ④ Inspect that there is no damage to the fan belt. If so, be sure to replace it.
- ⑤ Reverse the procedure above for re-assembly.



< Note >

- Use of a loose or damaged fan belt could result in overheating or insufficient charging.
- Request the authorized distributor where the generator was purchased to replace the fan belt.

(9) Elimination of carbon in the exhaust pipe line and muffler

WARNING : EXHAUST GAS POISONING

- Do not operate the generator in poorly ventilated areas such as indoors or tunnels, as the exhaust gas of the engine contains substances that are harmful to human health.
- Do not direct exhaust fumes at bystanders or buildings.

WARNING : INJURY

- Always be sure to check that the breakers on load side and switches for any equipment using the generator are at OFF before turning the breaker to ON. Also be sure to advise personnel on the load side that power will be turned on before operating the breaker.
- Close all doors and lock them during operation.

CAUTION : FIRE

- Do not bring flammable items (such as fuel, gas and paint) or items that are highly combustible near the generator as the muffler, exhaust gas and other parts become extremely hot.
- Position this generator 1 m or more from walls or other hindrances, and on a level surface.

CAUTION : INJURY

- Do not operate the generator if it has been modified or any parts have been removed.
- Position the generator on a level stable surface so that it cannot slide or move in any manner.
- Before starting operation, always be sure to turn off all switches of equipment being used and all breakers to OFF.

Clean	Every 250 hours
-------	-----------------

Accumulation of carbon (soot, unburned fuel) in the exhaust pipe line and muffler could cause only a system derates or an engine fault occurs. To destroy the soot and unburned fuel, run the unit at rated power for some period of time until the exhaust gas become mostly colorless every 250 hours operation time. The carbon will be easier to be generated when the unit operates at less than 30% of rated power. In this case, perform the above procedures at shorter interval time.

< Note >

- When the unit operates at rated power, accumulation of carbon in the exhaust pipe line and muffler might be lead to back fire incident. Do not bring flammable items that are highly combustible near the generator.

(10) Rubber Hose and Anti-Vibration Rubber Inspection/Replacement

Check	Daily
Replace	Every 2 years

< Note >

- If the rubber hoses (such as fuel, oil, coolant, air and drain) have been hardened or deteriorated, replace them with the new.
- Request the authorized distributor where the generator was purchased to replace the rubber hose and anti-vibration rubber.

(11) Flushing Liquid in Spill Containment

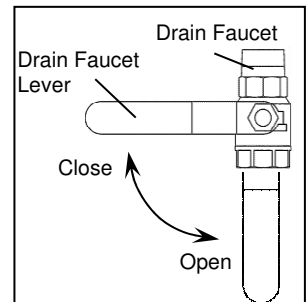
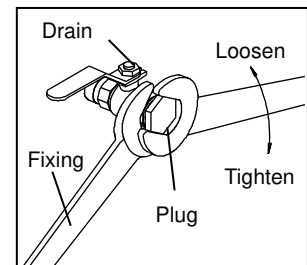
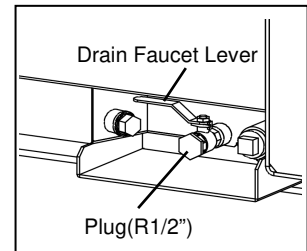
Check	Daily
-------	-------

- ① Set a container to collect liquid from the flushing port of the drain valve on the front of this generator.
- ② Remove the drain valve plug (R 1/2") and open the valve lever


< Note >

- When removing or attaching the plug, hold the drain valve fixed using a spanner or similar tool and turn the plug.
- If oil or other liquid is mixed in with the flushed liquid, this indicates that there is an oil leak. In such case, check for the leak location.
- The types of liquids that can accumulate in the spill containment include oil, fuel, coolant water and battery fluid such that it is not possible to distinguish between rain water and other liquids. Dispose of flushed liquids according to the related laws and regulations.

- ③ Close the valve lever after the liquid has been flushed, and apply sealant coating to the plug or wrap it in seal tape and reinsert it.



(12) Spill Containment Cleaning/Inspection

⚠ WARNING : INJURY 

- Do not lift up the unit using tie downs. Use of such could result in the generator falling.
- No persons should be under a lifted generator.

⚠ CAUTION : INJURY

- Always be sure to use lifting hooks when lifting up the generator, and raise it slowly at a completely vertical angle.
- Personnel performing lifting work must wear protective gear such as helmets, safety shoes and gloves.
- Do not move the generator during operation.

Check	Daily
Clean	Every 500 hours

Separate the spill containment from this generator to clean and inspect the spill containment.

■ Spill Containment Separate/ Reassemble

- ① Turn the 3way fuel valve lever to the “B” side.
- ② Remove the wiring connector.
- ③ Remove the fuel hoses (supply and return sides).
- ④ Remove the four spill containment fixing bolts (M12, 8 pieces).

< Note >

- When removing the fuel hoses, hold the union joint fixed using a spanner or similar tool.
- Prepare a container to receive the fuel remaining in the fuel piping that will flow out of the removed fuel piping.

- ⑤ Lift the generator, separate the spill containment and set the generator on a flat surface.
- ⑥ After cleaning and inspecting the inside of the spill containment, reassemble the spill container with this generator by performing the above procedures in the reverse order.
- ⑦ Reassemble the fuel piping and wiring connector to their original positions.
- ⑧ Turn the 3way fuel valve lever to the “A” side.

< Note >

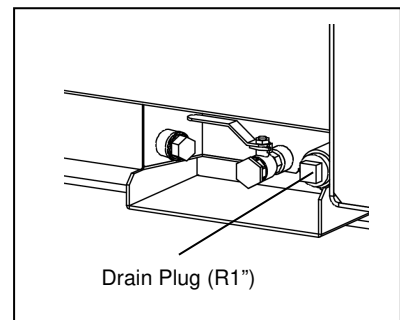
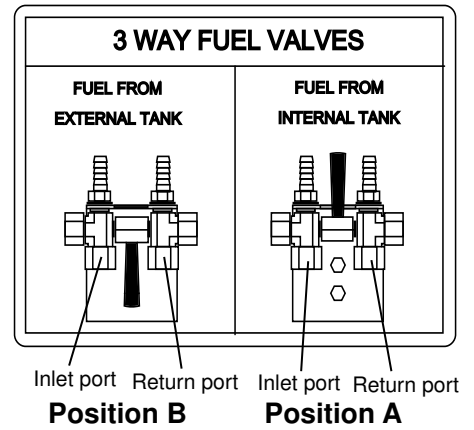
- After reassembling, bleed air from the fuel system. (Refer to section “9-2. Procedures during Operation”.)
- After reassembling, check that there is no fuel leakage.

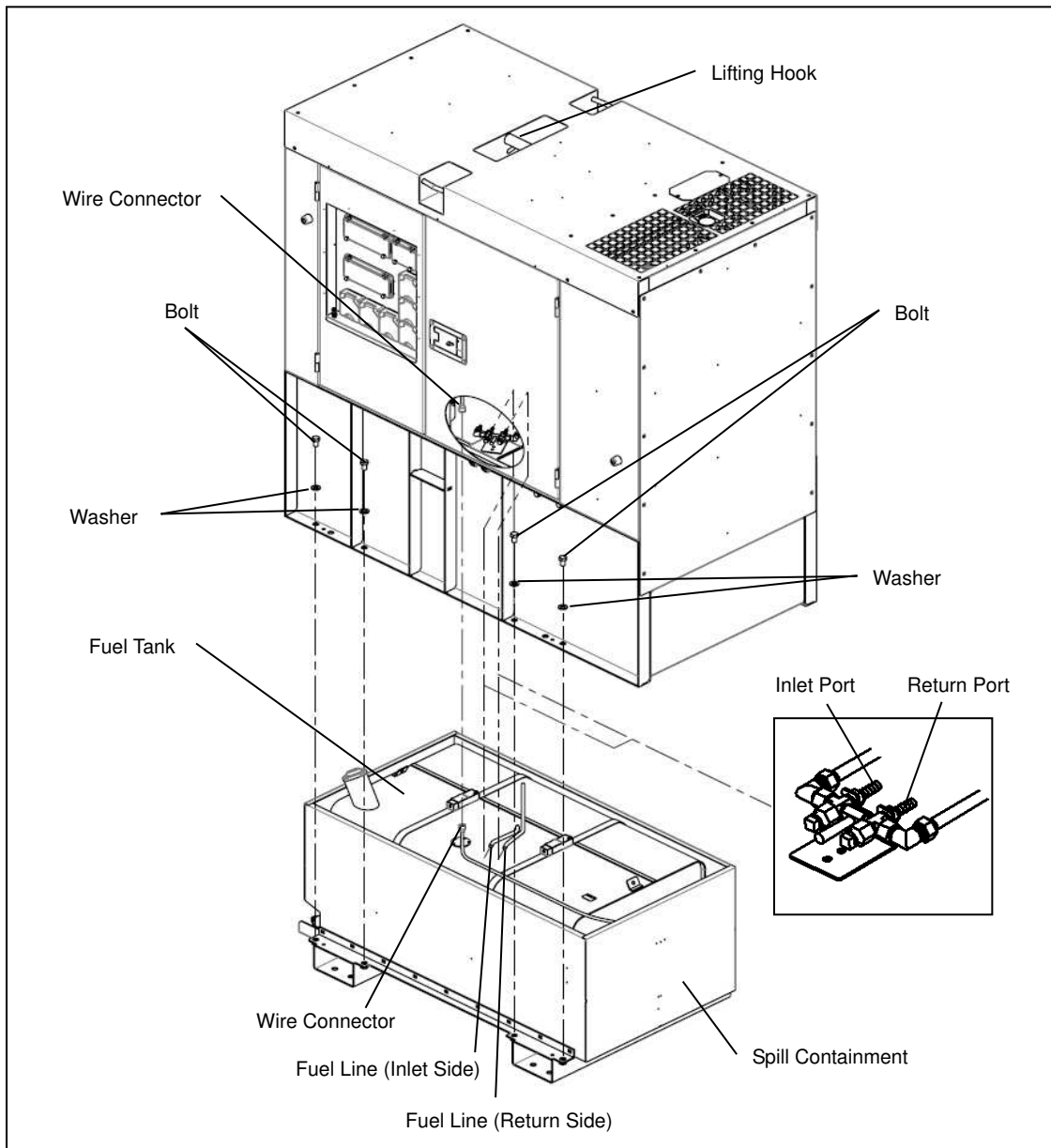
■ Spill Containment Cleaning/Inspection

- ① Use a high-pressure cleaner or similar equipment to clean the inside of the spill containment.
- ② After cleaning, allow water to accumulate and check that the spill containment has no internal leakage.
- ③ Remove the drain plug (R1”) to drain the cleaning water.
- ④ Check that there no rust has developed inside of the spill containment. If rust has developed, remove the rust and clean again.
- ⑤ After the procedures have been completed, apply sealant coating to the plug (R1”) or wrap it in seal tape.

< Note >

- If the fluid drained when cleaning the spill containment contains oil or grease, dispose of it according to the related laws and regulations.
- If the spill containment has a leak, contact the authorized distributor where the generator was purchased.

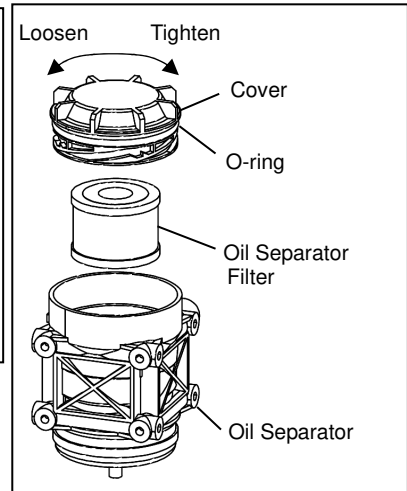
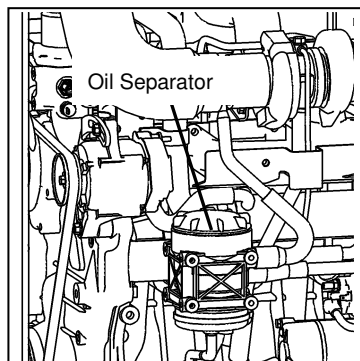




(13) Oil Separator Filter Replacement

Replace	Every 1000 hours
---------	------------------

- ① Remove the cover, and remove the O-ring and oil separator filter.
- ② Assemble a new O-ring to the cover and spread a thin layer of oil on the O-ring.
- ③ Assemble a new oil separator filter and tighten the cover by hand.



< Note >

- Replace with a new O-ring each time the oil separator filter is replaced.
- Oil separator filter part no. (with O-ring):1J419-05811 (Kubota part no.)

11. Long-Term Storage

WARNING : INJURY

- Before performing any equipment check or maintenance, stop the engine, and turn the Power Switch to the OFF position.

CAUTION : FIRE

- Always be sure to wipe up any spilled fuel or oil.
- Allow the generator to cool before covering with the protective cover.

CAUTION : BURNS

- Do not touch the engine and surrounding components immediately after stopping the equipment, while temperature can reach extremely high.

(1) Storage Procedures

Perform the following maintenance procedures before storing this generator if it is not going to be used for two months or more.

- ① Remove the battery.
(Refer to section “**8-6. Checking the Battery**”.)
- ② Replace the engine oil.
(Refer to section “**10. Inspection/Maintenance (1) Engine Oil Replacement**”.)
- ③ Drain the fuel from the fuel tank and filter.
(Refer to section “**10. Inspection/Maintenance (5) Fuel Filter Replacement**”.)
(Refer to section “**10. Inspection/Maintenance (6) Draining Water from the Fuel Tank**”.)
- ④ Clean up and inspect inside of the spill containment.
(Refer to section “**10. Inspection/Maintenance (12) Spill Containment Cleaning/Inspection**”.)
- ⑤ Clean up all generator components, and store in a dry and dust-free location. Also cover when storing so that rain cannot enter through the suction or exhaust ports.

< Note >

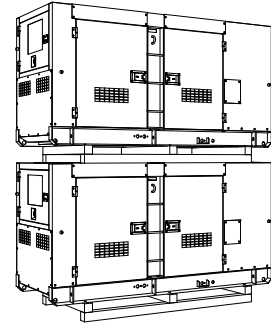
- Adjust the fluid of the removed battery to the appropriate level and recharge approximately every month.

(2) Double-Stacking Procedures

WARNING : INJURY

Always be sure to observe the following items when double stacking this generator in a warehouse or similar location.

- Check that the Top cover of this generator is not dented, and that bolts are not loosen or missing.
- Set in a location with a flat hard floor capable of withstanding the double-stacking weight.
- Always be sure to use lifting hooks when lifting this generator.
- Insert wood ties of the same size and that are wider than this generator between each generator, and set another generator on top of the ties.
- Never stack more than two levels, and do not set a generator on top that is larger in weight/size than that on the bottom.
- Do not operate the generator when it is double stacked.



12. Troubleshooting

WARNING : ELECTRIC SHOCK/INJURY

- Do not touch output terminals or internal electric parts while the generator is operating.
- Close all doors and place locks during operating this equipment, to avoid injuries by unintentionally touching cooling fan and fan belt.
- Before performing any equipment check or maintenance, stop the engine.

CAUTION : FIRE

- Never allow flame to come close to the generator.

CAUTION : BURNS

- Do not touch the engine and muffler after stopping the engine while temperature can reach extremely high.

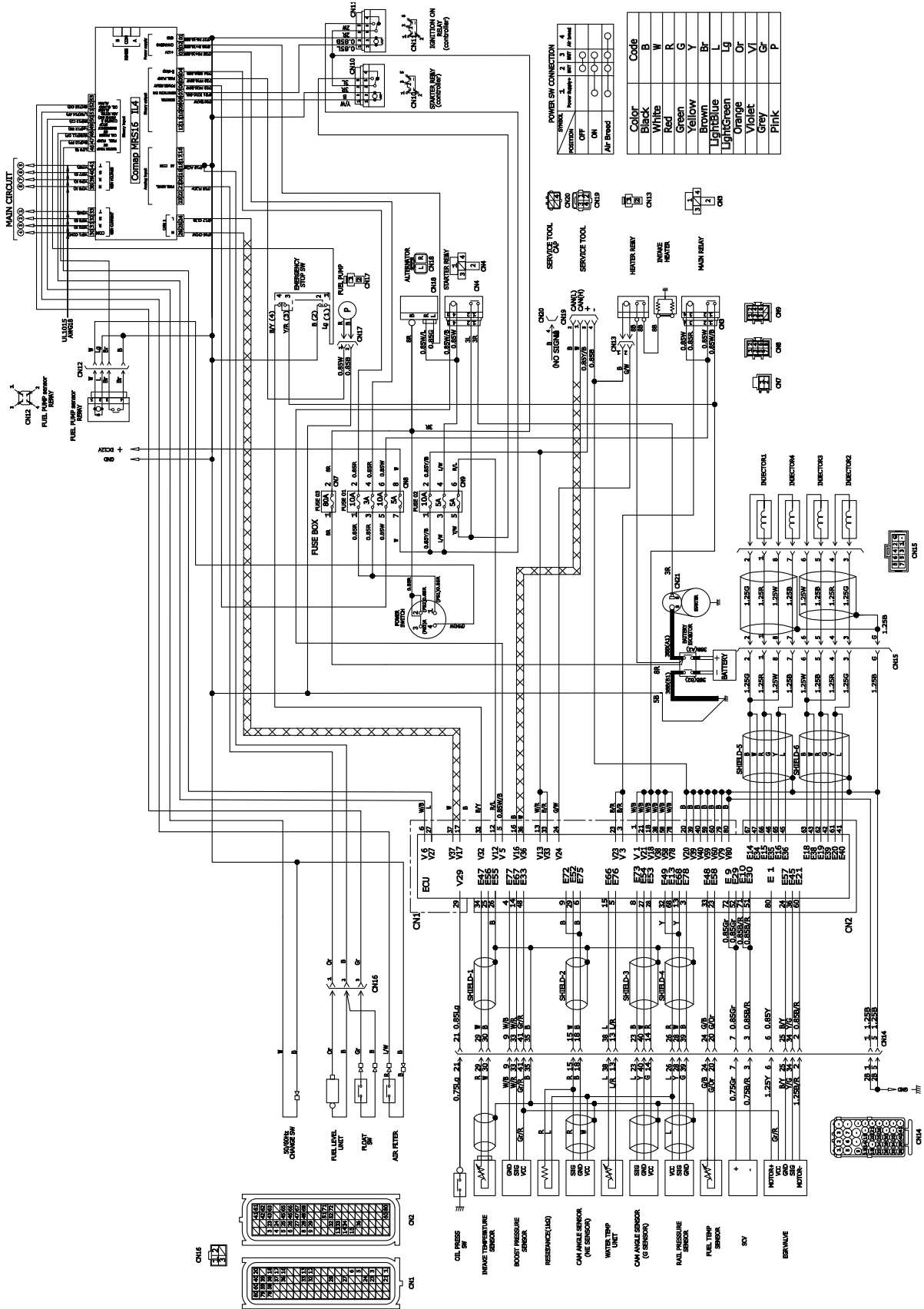
Inspect this generator when operation is poor to determine the fault/malfunction. Request the authorized distributor where the generator was purchased to perform maintenance if you cannot find any faults/malfunctions during inspection.

Problem		Suspected cause	Action
Engine does not start	Starter motor does not drive or speed is low	<ol style="list-style-type: none"> 1. Battery Isolator is OFF 2. Battery output is weak 3. Battery is deteriorated 4. Battery terminal is OFF or loose 5. Battery terminal is corroded 6. Power switch or relay is defective 7. Starter motor is defective 8. ECU(Engine Controller) is defective 	<ol style="list-style-type: none"> 1. Turn Battery Isolator to ON 2. Check / battery liquid/ or Charge 3. Change battery 4. Fix / Tighten terminal 5. Clean terminal 6. Ask our distributor to repair 7. Ask our distributor to repair 8. Ask our distributor to repair
	Starter motor drives but engine does not start	<ol style="list-style-type: none"> 1. Fuel is insufficient 2. Fuel filter is clogged 3. Gauze filter is clogged 4. Water is interfused in fuel line 5. Air is interfused in fuel line 6. Poor piping connection to external fuel tank 7. Fuel tank selector lever (3-way valve) position is wrong 8. Fuel cut solenoid (motor) does not work 	<ol style="list-style-type: none"> 1. Add fuel 2. Clean/Change fuel filter element 3. Clean/Change gauze filter 4. Drain water in water separator, fuel filter or fuel tank 5. Extract the air 6. Check piping connection 7. Check lever (3-way valve) 8-1. Check/Change fuse 8-2. Check/Change fuel cut
	<Ambient temperature falls down below zero>	<ol style="list-style-type: none"> 1. Fuel is frozen 2. Water in fuel line is frozen 3. Pre-heater is defective 	<ol style="list-style-type: none"> 1. Use winterized fuel 2. Drain water in fuel line 3. Ask our distributor to repair
Engine starts but stalls immediately	<ol style="list-style-type: none"> 1. Fuel filter is clogged 2. Gauze filter is clogged 3. Water is interfused in fuel line 4. Air is interfused in fuel line 5. Poor piping connection to external fuel tank 6. Air filter element is clogged 7. Lubricant oil is insufficient 8. Emergency operation/Fault detection 	<ol style="list-style-type: none"> 1. Clean/Change fuel filter element 2. Clean/Change gauze filter 3. Drain water in water separator, fuel filter or fuel tank 4. Extract the air 5. Check piping connection 6. Check/Change air filter element 7. Supply lubricant oil 8. Ask our distributor to repair 	
Engine oil pressure is low	<ol style="list-style-type: none"> 1. Lubricant oil is insufficient 2. Oil filter is clogged 3. Oil Pressure switch is defective 4. Wrong oil is used 	<ol style="list-style-type: none"> 1. Supply lubricant oil 2. Change oil filter 3. Ask our distributor to repair 4. Change to proper kind and viscosity oil 	

Problem	Suspected cause	Action
Overheated	<ol style="list-style-type: none"> 1. Engine thermostat is defective 2. Water temp sensor is defective 3. Controller is defective 4. Fan belt tension is weak 5. Coolant is insufficient 6. Radiator core is clogged 	<ol style="list-style-type: none"> 1. Ask our distributor to repair 2. Ask our distributor to repair 3. Ask our distributor to repair 4. Check/Adjust fan belt 5. Check/Supply coolant 6. Clean radiator core
Black smoke comes out from muffler	<ol style="list-style-type: none"> 1. Air filter element is clogged 2. Fuel injection nozzle is defective 3. Improper fuel is used 	<ol style="list-style-type: none"> 1. Check/Change air filter element 2. Ask our distributor to repair 3. Change to clean fuel
White smoke comes out from muffler	<ol style="list-style-type: none"> 1. Too much or too little oil to cylinder 2. Water is interfused in fuel line 3. Fuel injection nozzle is defective 4. Coolant temperature is too low 5. Engine thermostat is defective 	<ol style="list-style-type: none"> 1. Ask our distributor to repair 2. Drain water in water separator, fuel filter or fuel tank 3. Ask our distributor to repair 4. Warm-up driving is needed 5. Ask our distributor to repair
Voltage value does not change	<ol style="list-style-type: none"> 1. Controller is defective 2. AVR is defective 3. Disconnected circuit, loose terminal or departed 4. Initial exciter is defective 5. Alternator is defective 6. AVR protective device operation 	<ol style="list-style-type: none"> 1. Ask our distributor to repair 2. Ask our distributor to repair 3. Ask our distributor to repair 4. Ask our distributor to repair 5. Ask our distributor to repair 6. Replace AVR fuse
The voltage does not rise to the rated voltage	<ol style="list-style-type: none"> 1. Controller is defective 2. AVR is defective 3. Voltage regulator dial is defective 4. Frequency is low 	<ol style="list-style-type: none"> 1. Ask our distributor to repair 2. Ask our distributor to repair 3. Ask our distributor to repair 4. Ask our distributor to repair
The voltage value exceed the rated voltage	<ol style="list-style-type: none"> 1. Controller is defective 2. AVR is defective 	<ol style="list-style-type: none"> 1. Ask our distributor to repair 2. Ask our distributor to repair

Problem	Suspected cause	Action
The voltage drops drastically when connecting to load	<ol style="list-style-type: none"> 1. AVR is defective 2. Unbalanced loads sharing to each terminal 3. Loads total exceeds the rated current 4. AVR protective device operation 	<ol style="list-style-type: none"> 1. Ask our distributor to repair 2. Balance the loads sharing to each terminal 3. Decrease the loads to meet the rated output 4. Replace AVR fuse
Cannot turn the breaker to ON	<ol style="list-style-type: none"> 1. The breaker positions at between ON and OFF 2. Short circuit on the load 	<ol style="list-style-type: none"> 1. Once turning the lever to OFF, turn it to ON 2. Check the load circuit
Controller does not turn on	<ol style="list-style-type: none"> 1. Battery output is weak 2. Battery is deteriorated 3. Battery terminal is OFF or loose 4. Battery terminal is corroded 5. Fuse is blown 6. Disconnected circuit, loose terminal or departed 7. Controller or Power Switch is defective 	<ol style="list-style-type: none"> 1. Check/ battery liquid/ or Change 2. Change battery 3. Fix/Tighten terminal 4. Clean terminal 5. Check/Change fuse 6. Ask our distributor to repair 7. Ask our distributor to repair

14. Engine Electrical Circuit Diagram



YAMABIKO CORPORATION
7-2 SUEHIROCHO 1-CHOME, OHME, TOKYO 198-8760, JAPAN
PHONE: 81-428-32-6118. FAX: 81-428-32-6145.

shindaiwa[®]