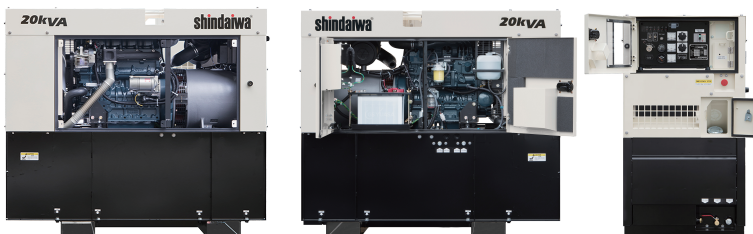




# DG20MK-P/ANZ



## Specifications

### GENERATOR

Generator Type	Revolving magnetic field, Brushless 3-Phase Synchronous		Winding	3-Phase, 4-Wire
Rated Output	kVA	20	Power Factor	% 80
	kW	16	Insulation Class	F
Rated Voltage	V	415	Excitation	Self-Excitation (Brushless)
Rated Current	A	27.8	Number of Poles	4
Rated Frequency	Hz	50		

### UNIT

Length	mm	1500	Dry Weight	kg	720
Width	mm	700	Installed Weight	kg	908
Height	mm	1310			

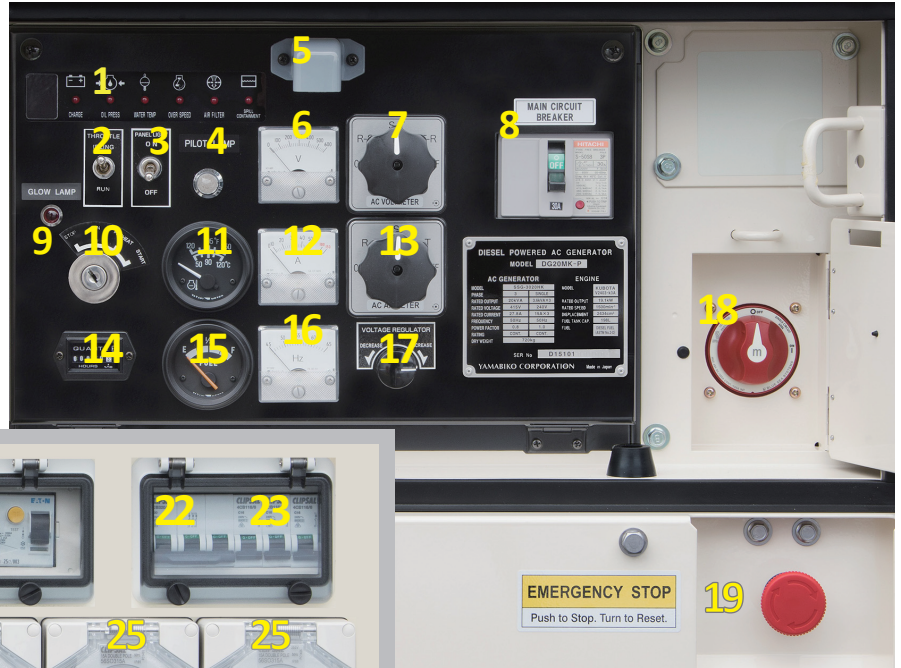
### ENGINE

Types	Vertical Water-Cooled 4-Cycle Diesel Engine		Fuel	Diesel Fuel (ASTM No. 2-D)
Model	V2403-K3A (Kubota)		Lubricant Oil	CD Class
Number of Cylinders	mm	4, 87 (bore) x 102.4 (stroke)	Fuel Tank Capacity	198
Continuous Rated Output	kW	19.1	Lubricant Volume	L 9.7
	PS	26.0	Cooling Water Volume	L 9.7
Rated Speed	min <sup>-1</sup>	1500	Starting Motor Capacity	V-kW 12-1.4
Displacement	L	2.434	Charging Dynamo Capacity	V-W 12-30
Combustion System	Direct Fuel Injection		Battery	80D26R
Cooling Method	Radiator			
Lubricating Method	Forced Lubrication			
Starting Method	Electric Start			

Powered by Kubota

**Control Panel**

- 1. Monitor Lamp
- 2. Throttle Switch
- 3. Panel Light Switch
- 4. Pilot Lamp
- 5. Panel Light
- 6. Voltmeter
- 7. Voltmeter Selector Switch
- 8. Circuit Breaker
- 9. Preheat Lamp
- 10. Starter Switch
- 11. Water Temperature Gauge
- 12. Ammeter
- 13. Ammeter Selector Switch
- 14. Hour Meter
- 15. Fuel Gauge
- 16. Frequency Meter
- 17. Voltage Regulator
- 18. Battery Isolator
- 19. Emergency Stop Button



**AC Output Panel**

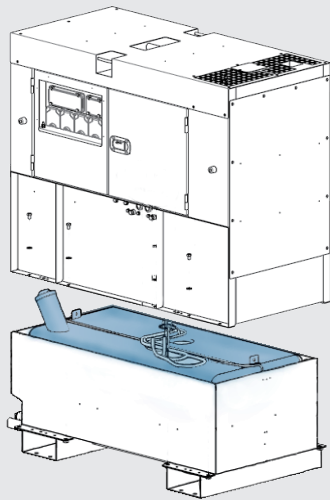
- 20. 3-Phase ELCB
- 21. 1-Phase ELCB
- 22. 3-Phase Breaker (20A)
- 23. 1-Phase Breaker (15A)
- 24. 3-Phase Receptacle(20A)
- 25. 1-Phase Receptacle (15A)



**Features**

**Large Fuel Tank**

The larger capacity fuel tank enables longer periods operation on a single tank of fuel: the unit runs for 66 hours under 50 % of load.



**Emergency Stop Button**

You can stop the engine immediately in emergency conditions to avert hazardous situations.



**Spill Containment**

The unit is more responsive to the nature. A spill containment captures any engine fluids to protect the surrounding environment.



**Reliable KUBOTA Engine**

DG20MK-P/ANZ is equipped with KUBOTA V2403 engine. KUBOTA world-wide service network offers extensive services which includes parts replacement and repair.

