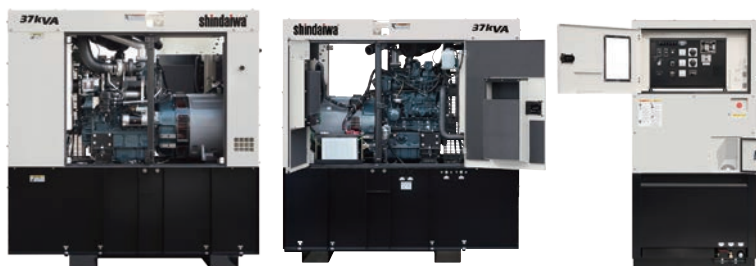




# DG37MK-P/ANZ



## Specifications

### GENERATOR

Generator Type	Rotating field, Brushless 3-Phase Synchronous Alternator		Winding	3-Phase, 4-Wire
Rated Output	kVA	37	Power Factor	% 80
	kW	29.6	Insulation Class	F
Rated Voltage	V	415	Excitation	Self-Excitation (Brushless)
Rated Current	A	51.5	Number of Poles	4
Rated Frequency	Hz	50		

### UNIT

Length	mm	1750	Dry Weight	kg	1191
Width	mm	880	Installed Weight	kg	1520
Height	mm	1795			

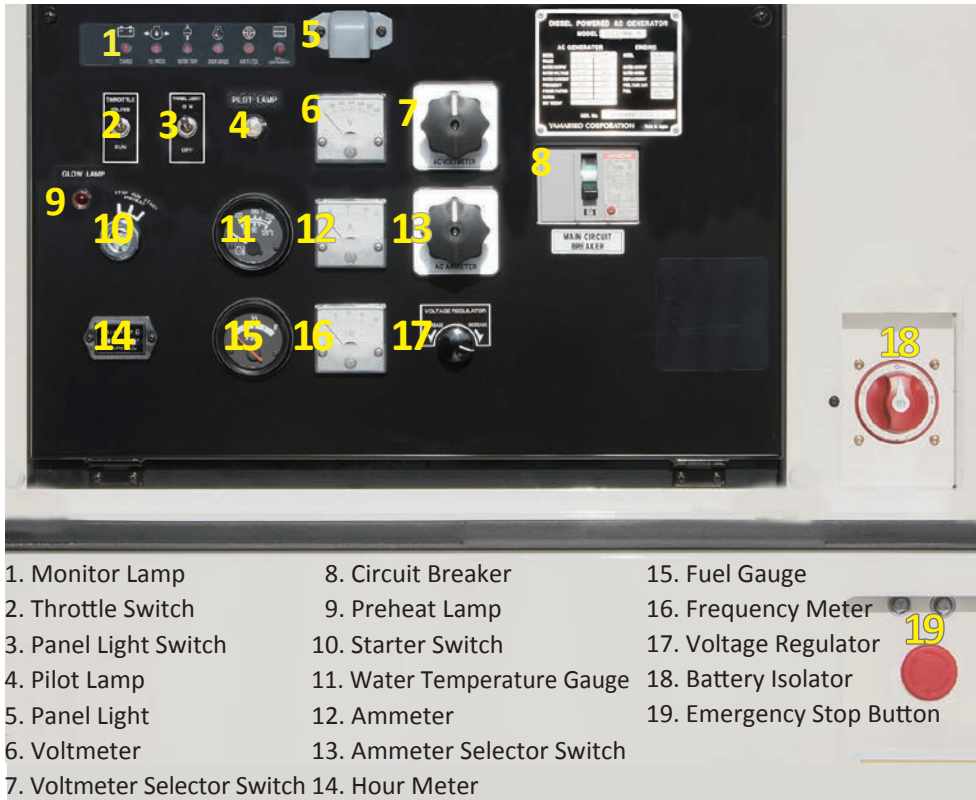
### ENGINE

Types	Vertical Water-Cooled 4-Cycle Diesel Engine		Fuel	Diesel Fuel (ASTM No. 2-D)
Model	V3800DI-T (Kubota)		Lubricant Oil	CD Class
Number of Cylinders	mm	4, 100 (bore) x 120 (stroke)	Fuel Tank Capacity	360
Continuous Rated Output	kW	33.1	Lubricant Volume	L 13.2
	PS	45.0	Cooling Water Volume	L 12.5
Rated Speed	min <sup>-1</sup>	1500	Starting Motor Capacity	V-kW 12-3.0
Displacement	L	3.769	Charging Dynamo Capacity	V-W 12-30
Combustion System	Direct Fuel Injection with Turbo Charger		Battery	80D26R
Cooling Method	Radiator			
Lubricating Method	Forced Lubrication			
Starting Method	Electric Start			

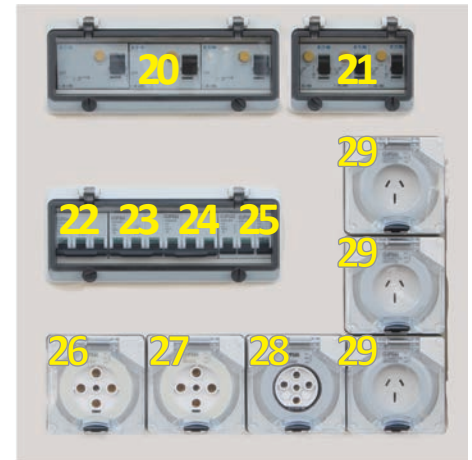
Powered by Kubota

# DG37MK-P/ANZ

## Control Panel



- |                              |                             |                           |
|------------------------------|-----------------------------|---------------------------|
| 1. Monitor Lamp              | 8. Circuit Breaker          | 15. Fuel Gauge            |
| 2. Throttle Switch           | 9. Preheat Lamp             | 16. Frequency Meter       |
| 3. Panel Light Switch        | 10. Starter Switch          | 17. Voltage Regulator     |
| 4. Pilot Lamp                | 11. Water Temperature Gauge | 18. Battery Isolator      |
| 5. Panel Light               | 12. Ammeter                 | 19. Emergency Stop Button |
| 6. Voltmeter                 | 13. Ammeter Selector Switch |                           |
| 7. Voltmeter Selector Switch | 14. Hour Meter              |                           |



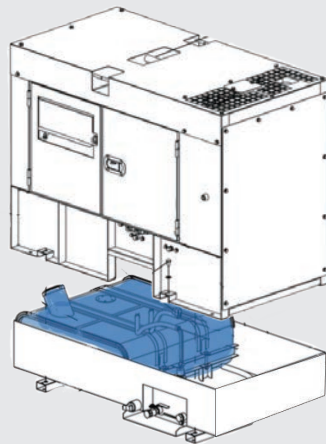
## AC Output Panel

- |                           |                              |
|---------------------------|------------------------------|
| 20. 3-Phase ELCB          | 25. 1-Phase Breaker (15A)    |
| 21. 1-Phase ELCB          | 26. 3-Phase Breaker (50A)    |
| 22. 3-Phase Breaker (50A) | 27. 3-Phase Breaker (32A)    |
| 23. 3-Phase Breaker (32A) | 28. 3-Phase Breaker (20A)    |
| 24. 3-Phase Breaker (20A) | 29. 1-Phase Receptacle (15A) |

## Features

### Large Fuel Tank

The larger capacity fuel tank enables longer periods operation on a single tank of fuel: the unit runs for 71 hours under 50 % of load.



### Emergency Stop Button

You can stop the engine immediately in emergency conditions to avert hazardous situations.



### Spill Containment

The unit is more responsive to the nature. A spill containment captures any engine fluids to protect the surrounding environment.



### Reliable KUBOTA Engine

DG37MK-P/ANZ is equipped with KUBOTA V3800D1-T. KUBOTA world-wide service network offers extensive services which includes parts replacement and repair.

